



INSTALLATION INSTRUCTIONS

IMPORTANT SAFETY INSTRUCTIONS

MESURES DE SECURITE A RESPECTURE

Before assembling your ACCESS LIGHTING fixture, please make sure that you carefully read through this instruction sheet. Save this instruction sheet and refer to it when additions to or changes in the fixture configuration are made.

Lisez attentivement ce manuel d'instructions. Enregistrer cette feuille d'instructions et de s'y référer lorsque les ajouts ou changements dans la configuration de montage sont faites.

CONSULT A QUALIFIED ELECTRICIAN TO ENSURE CORRECT BRANCH CIRCUIT CONDUCTOR.

CONSULTER UN ELECTRICIEN QUALIFIE POUR VOUS ASSURER QUE LES CONDUCTEURS DE LA DERIVATION SONT ADEQUATS

THIS PRODUCT MUST BE INSTALLED IN ACCORDANCE WITH THE APPLICABLE INSTALLATION CODE BY A PERSON FAMILIAR WITH THE CONSTRUCTION AND OPERATION OF THE PRODUCT AND THE HAZARDS INVOLVED.

CE PRODUIT DOIT ETRE INSTALLE SELON LE CODE D'INSTALLATION PERTINENT, PAR UNE PERSONNE QUI CONNAIT BIEN LE PRODUIT ET SON FONCTIONNEMENT AINSI QUE LES RISQUES INHERENTS

NOTE: The important safeguards and instructions that appear in this manual are not meant to cover all possible conditions and situations that may occur. It must be understood that common sense, caution and care, are factors that can't be built into any product. These factors must be supplied by the person(s) caring for and operating the fixture. Read all instructions

Do not install this fixture in hazardous locations.

N'installez pas cet appareil dans des emplacements dangereux.

Do not install any fixture assembly closer than 6 inches from any curtain or similar combustible material.

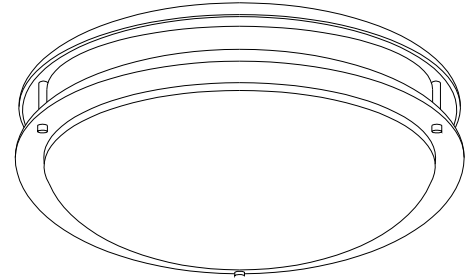
Laisser une distance d'au moins 6 pouces entre ce luminaire et la toute surface combustible.

"WARNING Risk of Fire and Electric Shock."

"CAUTION: Risque d' Incendie et de Choc Electriques."

GENERAL INFORMATION

All electrical connections must be in accordance with all ordinances, Local and the U.S. National Electrical Codes (NEC). These fixtures are intended for mounting to a standard 4" metal octagon outlet box. The box must be directly supported by the building structure and U.L. Recognized.



COLLECTION

SOLERO

APPLICATION

Ceiling

MODEL NO.

20464LEDEM
20465LEDEM
20466LEDEM

WHAT WE PROVIDE

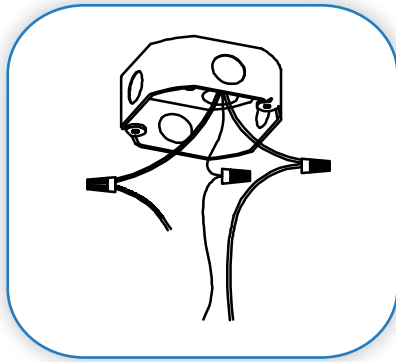
- Mounting Hardware
- 1 x Acrylic Shade
- 1 x Metal frame
- LED

WHAT YOU NEED

- Screwdriver
- Wire Cutters
- Wiring Supplies as Specified by Electrical Code

STEP BY STEP INSTRUCTIONS

Before starting your installation disconnect the Power by turning off the Circuit Breaker or by removing the fuse at the fuse box. Just turning the light off at the light switch is not sufficient to prevent electrical shock.



1

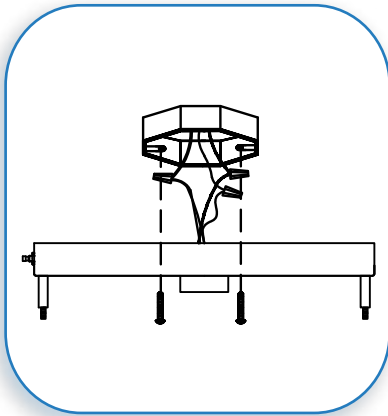
PREPARE FIXTURE

If there is an existing fixture remove it.

Expose the supply wires from the J-box .

Connect the black supply wire to the black fixture wire.

Secure with the supplied wire nut. Connect the white supply wire to the white fixture wire. Secure with the supplied wire nut. Attach the green J-Box wire around green hexagonal head screw or connect it to the green supply grounding wire of the fixture. Secure all wires with U.L. Certified electrical tape (not supplied). Tuck all wires carefully into the J-Box.



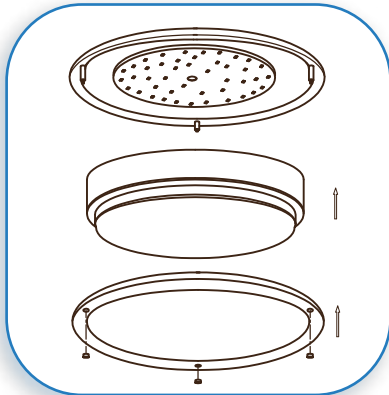
2

MOUNT THE CANOPY

Fit the fixture canopy up to the J-box.

Secure with the supplied screws.

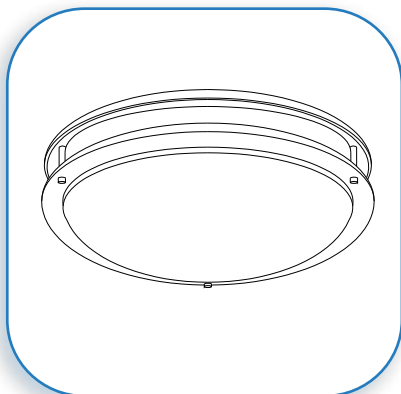
Slightly rotate the canopy to fit in screw slot.



3

SECURE THE SHADE

Cover the acrylic shade with metal frame and align the holes with the threaded rods. Secure with the supplied nuts.



4

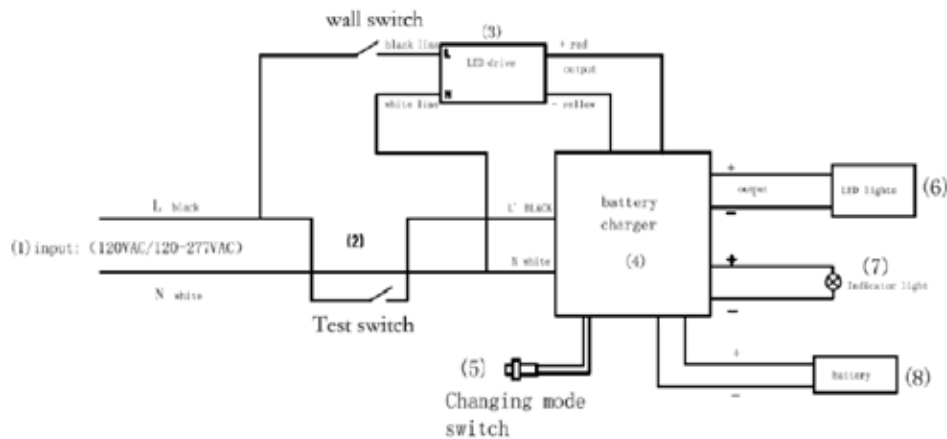
RESTORE THE ELECTRICITY AND CHECK THE OPERATION OF YOUR NEW ACCESS LIGHTING FIXTURE

CAUTION

If the fixture is to be removed or replaced, please ensure that the electricity is switched off and that the fitting is cool before touching it.

- a) Do not use outdoors.
- b) Do not let power supply cords touch hot surfaces.
- c) Do not mount near gas or electric heaters.
- d) Equipment should be mounted in locations and at heights where it will not readily be subjected to tampering by unauthorized personnel.
- e) The use of accessory equipment not recommended by the manufacturer may cause an unsafe condition.
- f) Do not use this equipment for other than intended use.
- g) The external test switch should not be maintained-break type.
- h) Do not use with dimmers.

Max. mounting height: 9.85ft (3m)



Product wiring method

- 1) LED driver input: connected to the mains (120Vac), L-side series of wall switches, in non-emergency state, open or close the LED lights;
- 2) Emergency drive input: connected to the mains (120Vac), L-side series of separate wall test switch, you can test whether the normal emergency LED lights!
- 3) LED driver, in the non-emergency state, drive LED lamps work
- 4) Emergency drive: in non-emergency state to charge the battery in the emergency state, the conversion of battery power to the LED lights
- 5) Changing mode switch: First, in the normal state of the power test should be lighting emergency state, Second, long-term emergency state, you can turn off the emergency situation
- 6) LED load: LED lights for lighting;
- 7) Indicator light: shows the battery three working conditions (charging, saturation, discharge);
- 8) Lithium battery: 2200mAH, 11.1V, non-emergency storage of electricity, emergency power supply to the LED lights

9) Standby power consumption 7W

10) In Standby mode, the Indicator light will be lit providing a visual indication that the battery is being charged, permits operation activity on failure of the normal supply source.

Emergency lights lighting effect

1) The milky white LED indicator light: when the LED is normally on, on behalf of the normal electricity (emergency) of the emergency lights, and emergency battery sufficient; When the LED indicator lights flashing, said the emergency light battery is insufficient, the battery in charging status; When the LED light is not bright, said emergency light is working, in a state of emergency

2) The red light touch control buttons: state of the control button to control the product power supply, can through the button control power in a state of emergency or emergency. Every light click the transformation. If long press the button for 5 seconds, will cut off the emergency light external driving power supply and emergency power supply, battery state emergency lights in this response.

Minimum 4-6hours charge time required to attain full battery capacity