

# access

L I G H T I N G

## INSTALLATION INSTRUCTIONS

### IMPORTANT

Before assembling your access lighting fixture, please make sure that you carefully read through these instruction sheets. Consider having your fixture installed by a qualified licensed electrician.

**NOTE:** The important safeguards and instructions that appear in this manual are not meant to cover all possible conditions and situations that may occur. It must be understood that common sense, caution and care, are factors that can't be built into any product. These factors must be supplied by the person(s) caring for and operating the fixture.

### GENERAL INFORMATION

All electrical connections must be in accordance with all ordinances, Local and National Electrical Codes. These fixtures are intended for mounting to a standard 4" x 2 1/2" metal octagon outlet box. The box must be directly supported by the building structure and U.L. Recognized.

### STEP BY STEP INSTRUCTIONS

Before starting your installation disconnect the Power by turning off the Circuit Breaker or by removing the fuse at the fuse box. Just turning the light off at the light switch is not sufficient to prevent electrical shock.



### COLLECTION

FLUX

### APPLICATION

Pendant Fixture

### MODEL NO.

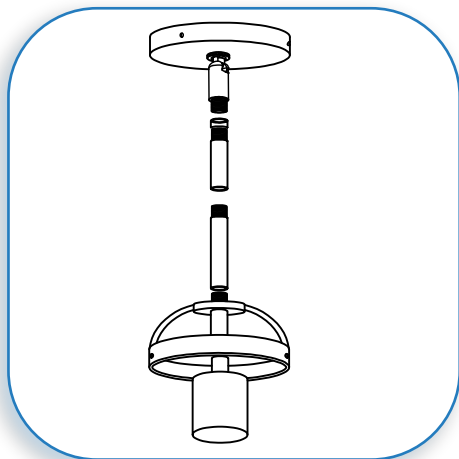
55545/55546

### WHAT WE PROVIDE

- Crossbar
- Mounting Hardware
- Glass Shade
- 1 x 60W Vintage bulb

### WHAT YOU NEED

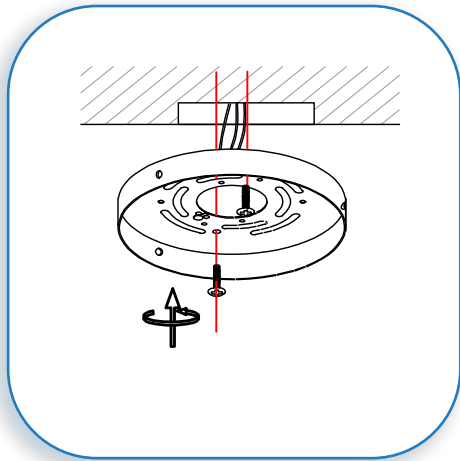
- Screwdriver
- Wire Cutters
- Wiring Supplies as Specified by Electrical Code



# 1

### PREPARE FIXTURE

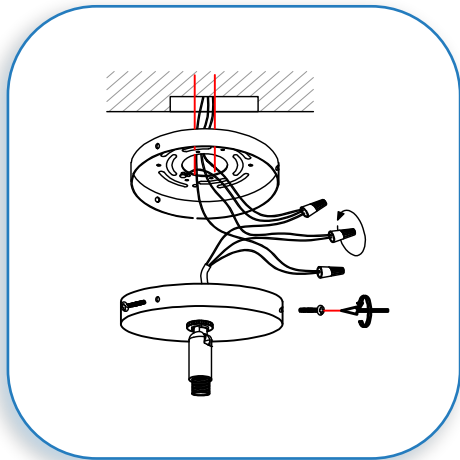
If there is an existing fixture remove it. Connect the rods together and secure the top rod by screwing into the threaded sloped ceiling adaptor on the canopy. Feed the wire through each of the rods and finally through the designated hole in the canopy.



2

**MOUNT THE CROSSBAR**

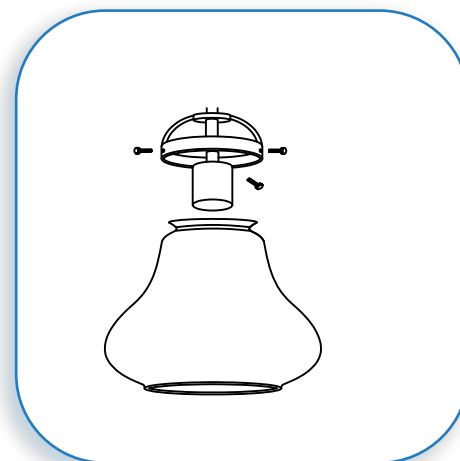
Mount the universal crossbar to the junction box with the supplied screws



3

**CONNECT THE WIRES AND MOUNT THE CANOPY TO CROSSBAR**

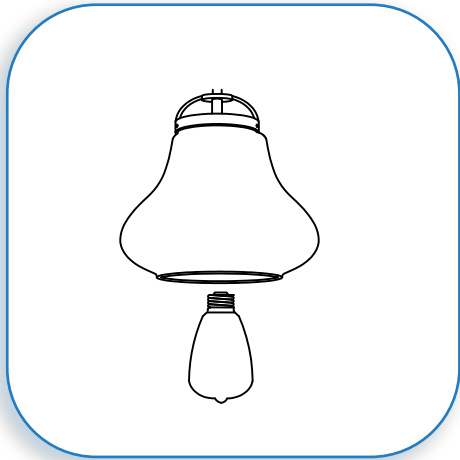
Connect the black supply wire to the black fixture wire. Secure with the supplied wire nuts. Connect the white supply wires to the white fixture wire. Secure with the supplied wire nuts. Either wrap the green wire around one of the protruding screws or connect it to the supply ground wire. Secure all wires with U.L. Certified electrical tape (not supplied). Fit the fixture canopy up to the crossbar. Align the holes in the sides of the crossbar with the designated holes in the canopy. Secure with the supplied screws.



4

**SECURE THE GLASS SHADE**

Hold the glass shade up over the socket. Align the holes in the side of the glass in the designated hole in the metal of the cap above the socket using the supplied screws to secure the glass shade.



5

**INSERT THE BULBS**

Insert the bulbs .

MAXIMUM WATTAGE 60W.

DO NOT EXCEED THE RECOMMENDED WATTAGE AS STATED ON THE WARNING LABEL AND INSTRUCTION SHEETS.



6

**RESTORE THE ELECTRICITY AND CHECK THE OPERATION OF YOUR NEW ACCESS FIXTURE**

**CAUTION** Please ensure that the fitting is cool and switched off before replacing the bulb. DO NOT use bulbs that might exceed the maximum wattage, stated on caution label.