

Model No :: **20075LEDD-WH/ACR**  
 Name :: Ulko Exterior



Project Name :: \_\_\_\_\_  
 Location :: \_\_\_\_\_  
 Type :: \_\_\_\_\_  
 Quantity :: \_\_\_\_\_  
 Notes :: \_\_\_\_\_

**Product Information**

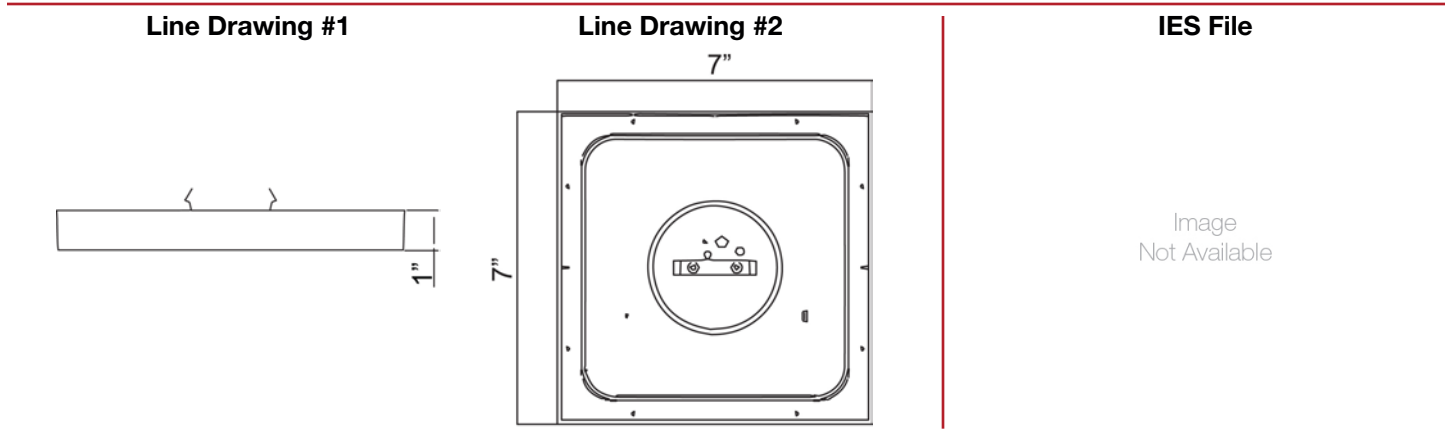
Product ID :: 20075  
 UPC Code :: 641594224603  
 Mounting Type :: Ceiling  
 Finish :: White (WH)  
 Diffuser :: Acrylic Lens (ACR)  
 Alt. Finishes :: Bronze (BRZ); Silver (SILV); White (WH)  
 Alt. Diffusers :: Acrylic Lens (ACR)

**Product Dimensions**

| Fixture               | Canopy          |
|-----------------------|-----------------|
| Length :: 7"          | Length :: N/A   |
| Width :: 7"           | Width :: N/A    |
| Diameter :: N/A       | Diameter :: N/A |
| Extension :: N/A      | Height :: N/A   |
| Height :: 1"          |                 |
| Overall Height :: N/A |                 |

**Technical Specifications**

| Qualifications                          | Specifications                | Photometrics               | Recommended Dimmers   |
|---|-------------------------------|----------------------------|---|
| Location Rating :: Wet                  | Frame Material :: Acrylic     | CCT :: 3000                | (ELV) LUTRON Skylark SELV-300P; (MLV) LUTRON Diva DVLV-600P; (TRIAC) LEVITON Decora Sureslide 6674; (TRIAC) LEVITON Surslide 6631; (TRIAC) LEVITON Trimatron 6684; (TRIAC) LUTRON Diva DV-600P; (TRIAC) LUTRON Diva DVCL-153P |
| Certification :: ETL Listed (US/Canada) | Diffuser Material :: Acrylic  | CRI :: 90                  |   |
| IES File ::                             | Voltage :: 120v               | Wattage :: 15w             |   |
| JA8 Compliant :: Yes                    | Lamping Type :: Dedicated LED | Nominal Lumens :: 1300Lm   |   |
| Energy Star :: No                       | Lamping Base :: SSL           | Delivered Lumens :: 1134Lm |   |
| ADA Compliant :: No                     | Lamp Quantity :: 1            | Additional Items :: 0      |   |
| Marine Grade :: No                      | Lamp Wattage :: 15 W          |                            |   |
| Emergency Lighting :: No                | Total Wattage :: 15w          |                            |   |
| Warranty :: 5 Year Limited              | Lamps Included :: Yes         |                            |   |
|   | J-Box Type :: Standard        |                            |   |



**Toll Free 800-828-5483 • www.AccessLighting.com**

14410 Myford Road, Irvine, CA 92606  
 The information provided is subject to change without notice. ©2020 Access Lighting Corporation. All Rights Reserved  
 Rev. 202004 Filename:: 20075LEDD-WH\_ACR.pdf

