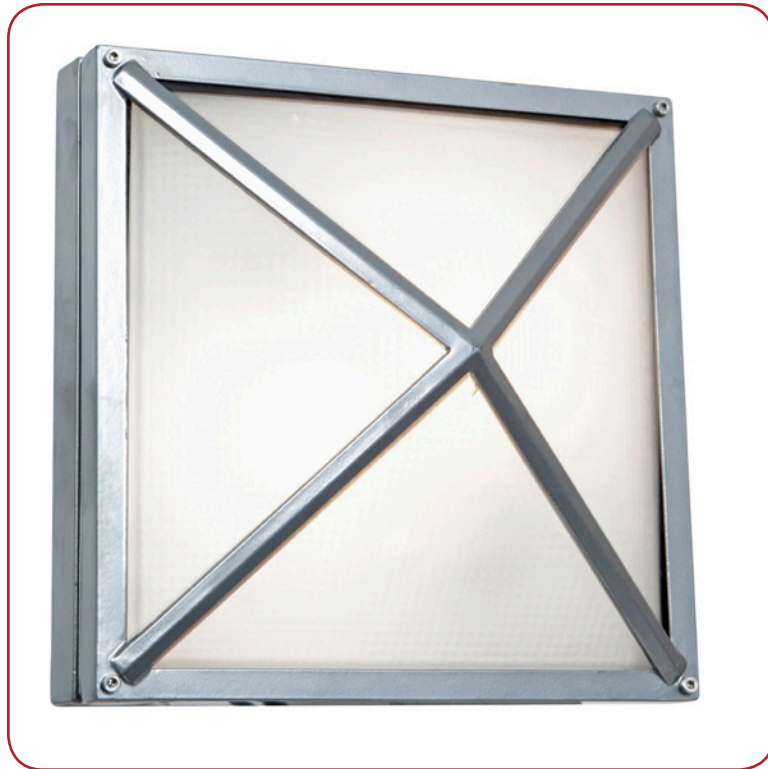


Model No :: **20330MG-SAT/FST**
 Name :: Oden



Project Name :: _____
 Location :: _____
 Type :: _____
 Quantity :: _____
 Notes :: _____

Product Information

Product ID :: 20330
 UPC Code :: 641594218381
 Mounting Type :: Wall
 Finish :: Satin (SAT)
 Diffuser :: Frosted (FST)
 Alt. Finishes :: Black (BL); Satin (SAT)
 Alt. Diffusers :: Frosted (FST)

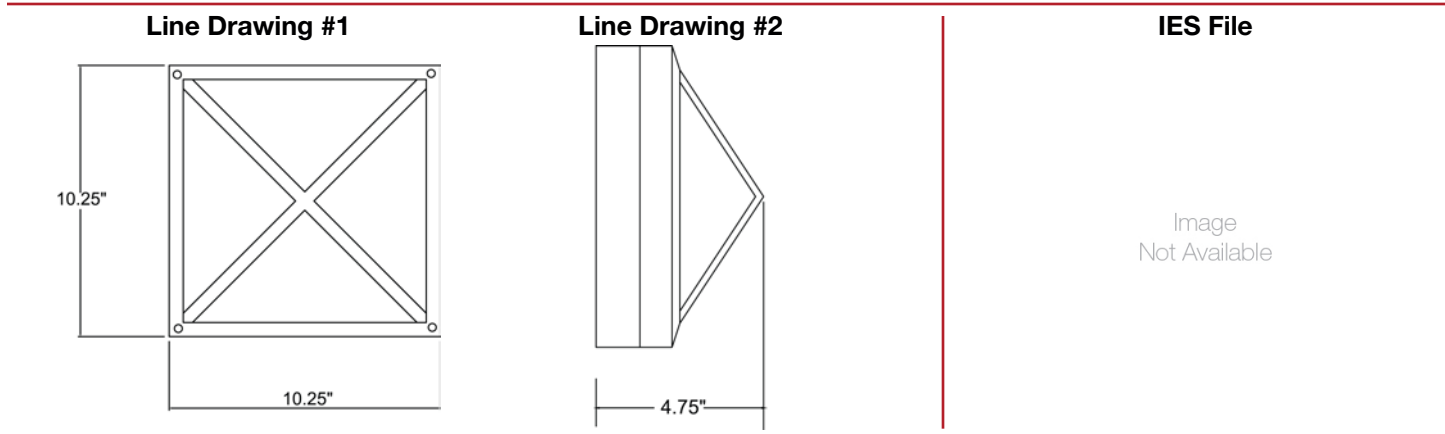
Product Dimensions

Fixture	Canopy
Length :: 10.25"	Length :: 10.25"
Width :: 10.25"	Width :: 10.25"
Diameter :: N/A	Diameter :: N/A
Extension :: 4.75"	Height :: 1.25"
Height :: N/A	
Overall Height :: N/A	



Technical Specifications

Qualifications	Specifications	Photometrics	Recommended Dimmers
Location Rating :: Wet	Frame Material :: Aluminum	CCT :: 2700	(TRIAC) Any Standard Dimmer
Certification :: ETL Listed (US/Canada)	Diffuser Material :: Glass	CRI :: N/A	
IES File ::	Voltage :: 120v	Wattage :: 120w	
JA8 Compliant :: No	Lamping Type :: Incandescent	Nominal Lumens :: 1600Lm	
Energy Star :: No	Lamping Base :: E-26	Delivered Lumens :: N/A	
ADA Compliant :: No	Lamp Quantity :: 2	Additional Items :: 0	
Marine Grade :: Yes	Lamp Wattage :: 60 W		
Emergency Lighting :: No	Total Wattage :: 120w		
Warranty :: 3 Year Limited	Lamps Included :: No		
	J-Box Type :: Standard		



Toll Free 800-828-5483 • www.AccessLighting.com

14410 Myford Road, Irvine, CA 92606
 The information provided is subject to change without notice. ©2020 Access Lighting Corporation. All Rights Reserved
 Rev. 202004 Filename:: 20330MG-SAT_FST.pdf

