

Model No :: **20364LEDDLDP-SAT/CLR**  
 Name :: Poseidon



Project Name :: \_\_\_\_\_  
 Location :: \_\_\_\_\_  
 Type :: \_\_\_\_\_  
 Quantity :: \_\_\_\_\_  
 Notes :: \_\_\_\_\_

**Product Information**

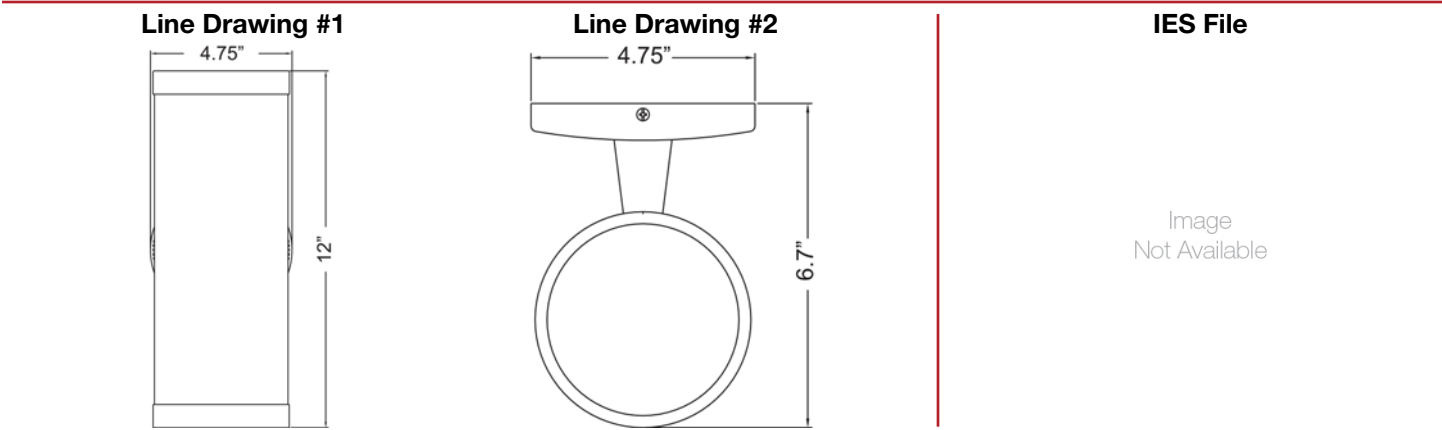
Product ID :: 20364  
 UPC Code :: 641594216103  
 Mounting Type :: Wall  
 Finish :: Satin (SAT)  
 Diffuser :: Clear (CLR)  
 Alt. Finishes :: Bronze (BRZ); Satin (SAT)  
 Alt. Diffusers :: Clear (CLR)

**Product Dimensions**

Fixture	Canopy
Length :: N/A	Length :: N/A
Width :: 4.75"	Width :: N/A
Diameter :: N/A	Diameter :: 4.75"
Extension :: 7"	Height :: 0.5"
Height :: 12"	
Overall Height :: N/A	

**Technical Specifications**

Qualifications	Specifications	Photometrics	Recommended Dimmers
Location Rating :: Wet	Frame Material :: Steel	CCT :: 3000	(TRIAC) Any Standard Dimmer
Certification :: UL Listed (US/Canada)	Diffuser Material :: Glass	CRI :: 80	
IES File ::	Voltage :: 120v	Wattage :: 19w	
JA8 Compliant :: No	Lamping Type :: Replaceable LED	Nominal Lumens :: 1600Lm	
Energy Star :: No	Lamping Base :: E-26	Delivered Lumens :: N/A	
ADA Compliant :: No	Lamp Quantity :: 2		
Marine Grade :: No	Lamp Wattage :: 9.5 W		
Emergency Lighting :: No	Total Wattage :: 19w		
Warranty :: 1 Year Limited	Lamps Included :: Yes		
	J-Box Type :: Standard		
		Additional Items :: Clear Glass Lens on Top	



Toll Free 800-828-5483 • [www.AccessLighting.com](http://www.AccessLighting.com)

14410 Myford Road, Irvine, CA 92606

The information provided is subject to change without notice. ©2020 Access Lighting Corporation. All Rights Reserved  
 Rev. 202004 Filename:: 20364LEDDLDP-SAT\_CLR.pdf

