

Model No :: **20416LEDDL-ML/SDG**
 Name :: Artemis



Project Name :: _____
 Location :: _____
 Type :: _____
 Quantity :: _____
 Notes :: _____

Product Information

Product ID :: 20416
 UPC Code :: 641594238358
 Mounting Type :: Wall
 Finish :: Matte Black (MBL)
 Diffuser :: Seeded Glass (SDG)
 Alt. Finishes :: Brushed Steel (BS); Matte Black (MBL)
 Alt. Diffusers :: Opal (OPL); Seeded Glass (SDG)

Product Dimensions

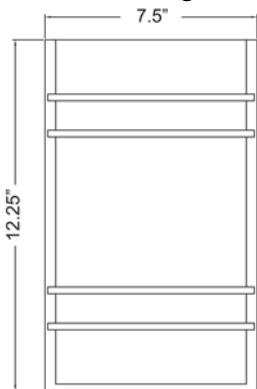
Fixture	Canopy
Length :: 0	Length :: 12.25"
Width :: 7.5"	Width :: 7.5"
Diameter :: 0	Diameter :: 0
Extension :: 4"	Height :: 0.5"
Height :: 12.25"	
Overall Height :: 0	



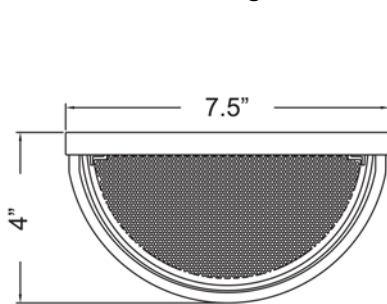
Technical Specifications

Qualifications	Specifications	Photometrics	Recommended Dimmers
Location Rating :: Dry	Frame Material :: Steel	CCT :: 2700	(ELV) LUTRON Diva DVELV-300P; (ELV) LUTRON Diva DVELV-303P; (ELV) LUTRON Skylark SELV-300P
Certification :: UL Listed (US/Canada)	Diffuser Material :: Glass	CRI :: 90	
IES File ::	Voltage :: 120v	Wattage :: 4w	
JA8 Compliant :: No	Lamping Type :: Replaceable LED	Nominal Lumens :: 300Lm	
Energy Star :: No	Lamping Base :: E-26	Delivered Lumens :: 0	
ADA Compliant :: No	Lamp Quantity :: 1	Additional Items :: 0	
Marine Grade :: No	Lamp Wattage :: 4 W		
Emergency Lighting :: No	Total Wattage :: 4w		
Warranty :: 3 Year Limited	Lamps Included :: Yes		
	J-Box Type :: Standard		

Line Drawing #1



Line Drawing #2



IES File

Image
Not Available

Toll Free 800-828-5483 • www.AccessLighting.com

14410 Myford Road, Irvine, CA 92606

The information provided is subject to change without notice. ©2020 Access Lighting Corporation. All Rights Reserved
 Rev. 202004 Filename:: 20416LEDDL-ML_SDG.pdf

