

Model No :: **23765-BSL**

Name :: SoHo



Project Name :: \_\_\_\_\_  
Location :: \_\_\_\_\_  
Type :: \_\_\_\_\_  
Quantity :: \_\_\_\_\_  
Notes :: \_\_\_\_\_

### Product Information

Product ID :: 23765  
UPC Code :: 641594176674  
Mounting Type :: Ceiling  
Finish :: Brushed Silver (BSL)  
Diffuser :: 0  
Alt. Finishes :: Brushed Silver (BSL); Glossy White (GWH); Rice (RIC)  
Alt. Diffusers :: 0

### Product Dimensions

Fixture	Canopy
Length :: N/A	Length :: N/A
Width :: N/A	Width :: N/A
Diameter :: 18.75"	Diameter :: N/A
Extension :: N/A	Height :: N/A
Height :: 10.5"	
Overall Height :: 12-130.5"	

### Technical Specifications

#### Qualifications

Location Rating :: Dry  
Certification :: ETL Listed (US/Canada)  
IES File ::  
JA8 Compliant :: No  
Energy Star :: No  
ADA Compliant :: No  
Marine Grade :: No  
Emergency Lighting :: No  
Warranty :: 1 Year Limited

#### Specifications

Frame Material :: Metal  
Diffuser Material :: 0  
Voltage :: 120v  
Lamping Type :: Incandescent  
Lamping Base :: E-26  
Lamp Quantity :: 3  
Lamp Wattage :: 60 W  
Total Wattage :: 180w  
Lamps Included :: No  
J-Box Type :: Standard

#### Photometrics

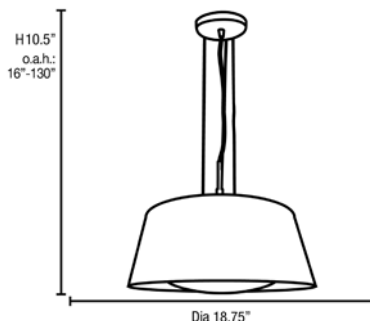
CCT :: 2700  
CRI :: N/A  
Wattage :: 180w  
Nominal Lumens :: 2400Lm  
Delivered Lumens :: N/A

#### Recommended Dimmers

(TRIAC) Any Standard Dimmer

Additional Items :: Only Limited Quantities Available

#### Line Drawing #1



#### Line Drawing #2

Image Not Available

#### IES File

Image Not Available

Toll Free 800-828-5483 • [www.AccessLighting.com](http://www.AccessLighting.com)

14410 Myford Road, Irvine, CA 92606

The information provided is subject to change without notice. ©2020 Access Lighting Corporation. All Rights Reserved  
Rev. 202004 Filename:: 23765-BSL.pdf

