

Model No :: **62293LEDD-BS/OPL**
 Name :: Nitro2



Project Name :: _____
 Location :: _____
 Type :: _____
 Quantity :: _____
 Notes :: _____

Product Information

Product ID :: 62293
 UPC Code :: 641594210804
 Mounting Type :: Wall
 Finish :: Brushed Steel (BS)
 Diffuser :: Opal (OPL)
 Alt. Finishes :: Bronze (BRZ); Brushed Steel (BS)
 Alt. Diffusers :: Opal (OPL)

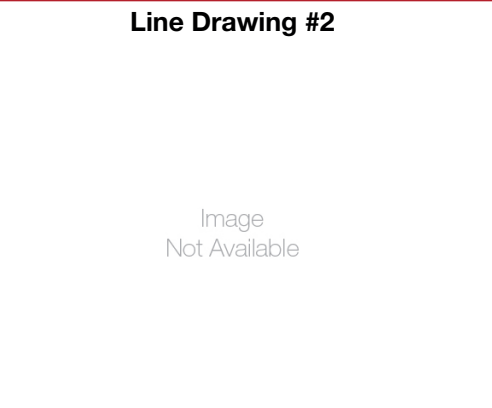
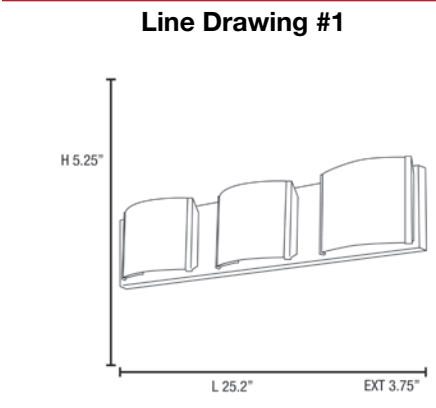
Product Dimensions

| Fixture | Canopy |
|-----------------------|-----------------|
| Length :: N/A | Length :: 24" |
| Width :: 25.25" | Width :: 5.25" |
| Diameter :: N/A | Diameter :: N/A |
| Extension :: 3.75" | Height :: 1" |
| Height :: 5.25" | |
| Overall Height :: N/A | |



Technical Specifications

| Qualifications | Specifications | Photometrics | Recommended Dimmers |
|--|-------------------------------|--------------------------|---|
| Location Rating :: Damp | Frame Material :: Metal | CCT :: 3000 | (ELV) LUTRON Diva DVELV-300P; (ELV) LUTRON Diva DVELV-303P; (ELV) LUTRON Skylark SELV-300P; (TRIAC) LUTRON Diva DV-600P |
| Certification :: UL Listed (US/Canada) | Diffuser Material :: Glass | CRI :: 90 | |
| IES File :: | Voltage :: 120v | Wattage :: 27w | Additional Items :: 0 |
| JA8 Compliant :: No | Lamping Type :: Dedicated LED | Nominal Lumens :: 2400Lm | |
| Energy Star :: No | Lamping Base :: SSL | Delivered Lumens :: N/A | |
| ADA Compliant :: Yes | Lamp Quantity :: 3 | | |
| Marine Grade :: No | Lamp Wattage :: 9 W | | |
| Emergency Lighting :: No | Total Wattage :: 27w | | |
| Warranty :: 5 Year Limited | Lamps Included :: Yes | | |
| | J-Box Type :: Standard | | |



Toll Free 800-828-5483 • www.AccessLighting.com

14410 Myford Road, Irvine, CA 92606
 The information provided is subject to change without notice. ©2020 Access Lighting Corporation. All Rights Reserved
 Rev. 202004 File name:: 62293LEDD-BS_OPL.pdf

