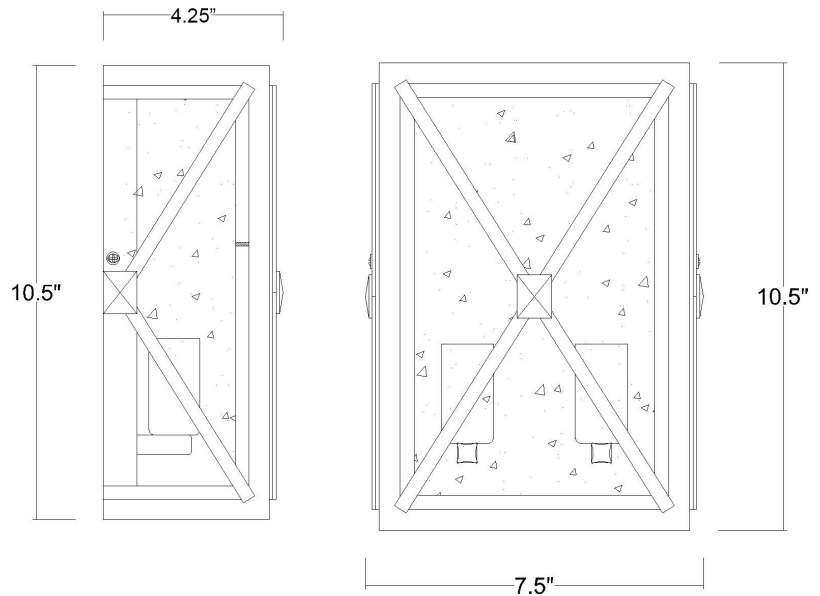


1124ORB

BROOKLYN 2-LIGHT WALL LANTERN



Description:	Brooklyn 2-Light Wall Lantern
Finish:	Oil Rubbed Bronze
Dimensions:	7-1/2" W x 10-1/2" H x 4-1/4" ext. Height on Center: 5-1/4"
Bulbs:	2-60W Cand.
Installed Weight:	4.4 lbs.
Certification:	cETL / wet location

Material:	Steel and glass
Shades:	NA
Glass:	Clear Water
Back Plate Dimensions:	7" x 10-1/2"
Chain/Wire:	NA
Additional Finishes:	NA