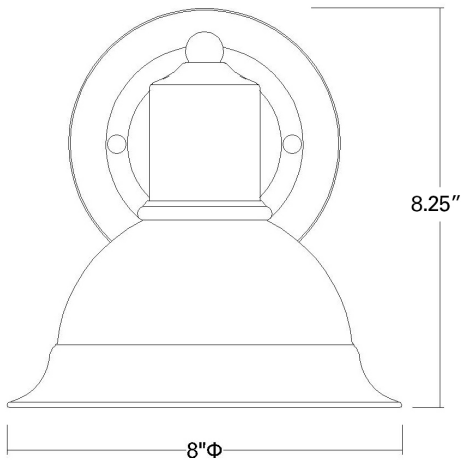


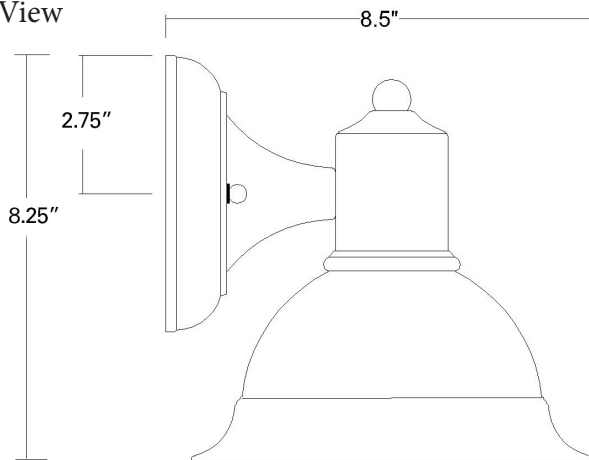
1500ORB

COLTON 1-LIGHT WALL LANTERN

Front View



Side View



Description:	Colton 1-light wall lantern	Material:	Aluminum and brass
Finish:	Oil-rubbed bronze	Shade:	Aluminum
Dimensions:	8" W x 8-1/4" H x 8-1/2" ext. Height on center: 2-3/4"	Glass:	NA
Bulbs:	1-60w medium	Back Plate Dimensions:	5-1/2" dia.
Installed Weight:	1 lb.	Chain/Wire:	NA
Certification:	Wet location / ETL	Additional Finishes:	Matte nickel and raw brass