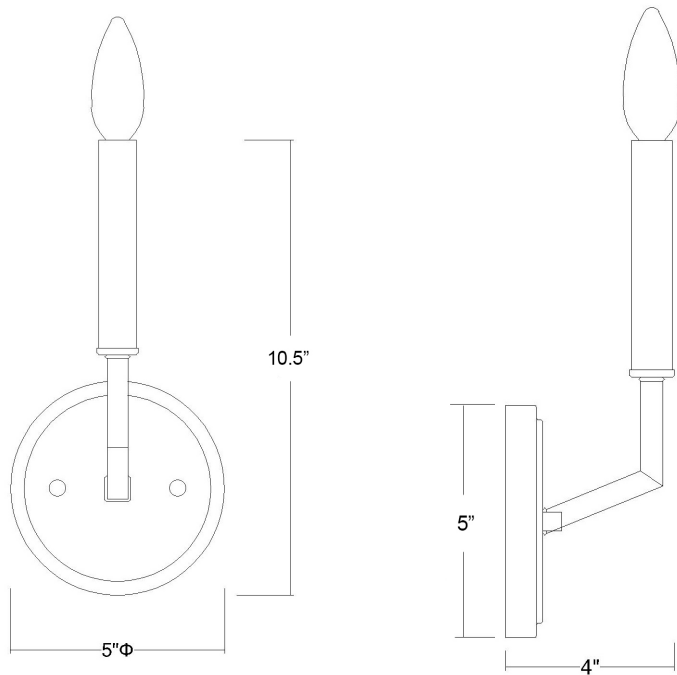


IN41431SN

HARPER 1-LIGHT WALL SCONCE



Description:	Harper 1-light wall sconce
Finish:	Satin nickel
Dimensions:	5" W x 10-1/2" H x 4" ext. Height on center: 8-1/4"
Bulbs:	1-60w candelabra
Installed Weight:	0.8 lbs.
Certification:	Dry location / c UL

**dimensions do not include bulb*

Material:	Iron
Shades:	NA
Glass:	NA
Back Plate Dimensions:	5" dia.
Chain/Wire:	NA
Additional Finishes:	NA