



LOCATION		DATE
PREPARED BY		QUANTITY
COMMENTS		FIXTURE TYPE
CATALOG NUMBER		

Jaxx LED Ceiling Mount JAXF Series

Features

Unique angled bars with chrome finish. Applications include: kitchens, hallways, and anywhere that needs highlighted illumination. The fixture mounts to a standard junction box (not included). This fixture mounts to the ceiling.

Construction

The canopy is 22-gauge stamped steel. Power supply connections must be made inside a junction box (not included).

Finish

Plated in polished chrome, black*, or satin brass* finish.

Diffuser

White lens.

Electrical

Input 120 VAC / 60HZ.
Compatible with TRIAC and ELV dimmers.

LED

Integrated LED modules capable of producing:
26W, 1563 delivered lumens.
3000K (CCT). Rated for 50,000 hrs., 90 CRI.

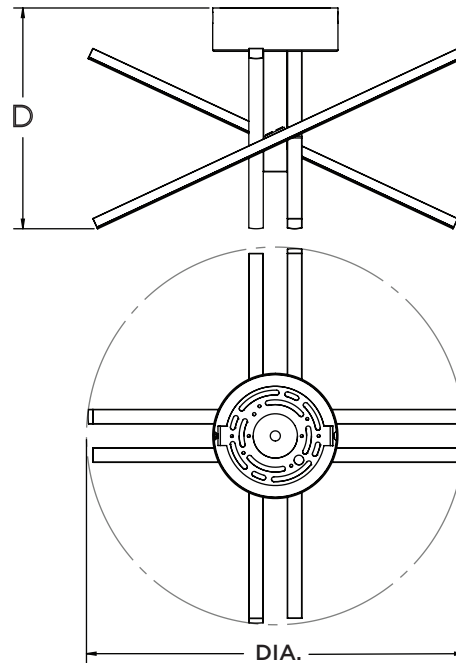
Certification

All fixtures are cETLus listed for indoor damp locations.

Warranty

Limited warranty: This fixture is free from defects in materials and workmanship for a period of 5 years from date of purchase.

Specifications and dimensions
subject to change without notice.



Ordering Information:

Polished Chrome	Black*	Satin Brass*	LED	Delivered Lumens	CCT	DIA.	D
JAXF1515L30D1PC	JAXF1515L30D1BK	JAXF1515L30D1SB	25W	1563	3000K	15"	9"

*Special order - consult factory for MOQ and lead time.