



LOCATION		DATE
PREPARED BY		QUANTITY
COMMENTS		FIXTURE TYPE
CATALOG NUMBER		

Rigby Narrow Cloud RC Series

Features

The molded white cloud diffuser has rounded corners and edges for a soft pillow appearance. It can be used in various applications including corridors, kitchens and public spaces. Fixture mounts to standard junction box (not included).



Construction

Housing is die-formed of 22-gauge steel. Standard mounting holes are included. Power supply connections can be made inside the fixture wire way or in a junction box (not included).

Finish

Back plate is finished in lighting grade white baked gloss enamel paint.

Diffuser

Diffuser is made of Dur-illum 2200 copolyester, a high strength lighting plastic material with high impact properties. Four clips on the two edges of the diffuser allow it to lift and shift for easy removal.

Electrical

This unit can be ordered in the following options:

With UL listed instant-start, electronic normal power factor ballast; 120V 60Hz AC (R8 suffix);

With UL Listed, High Power Factor Programmed Start Electronic Ballast

120-277V 50/60Hz AC (MV suffix).

Lamping

For use with 2/32, 4/32 or 4/17 watt T8 linear fluorescent lamps; not included.

Certification

All fixtures are cULus listed for damp locations.

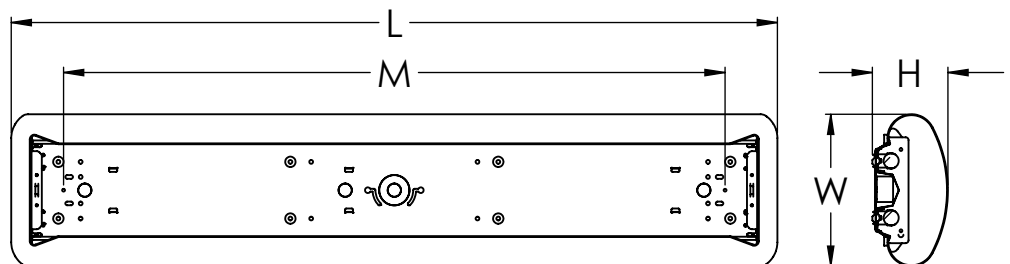
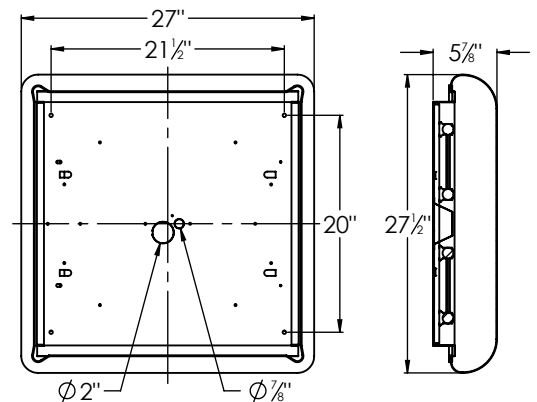
Options (consult factory)

Dimming

Warranty

Limited warranty: This fixture is free from defects in materials and workmanship for a period of 2 years from date of purchase.

Specifications and dimensions
subject to change without notice.



Ordering Information:

120V	120-277V	Qty.	Lamp	H	W	L	M
RC232R8	RC232MV	2	F32T8	4-7/8"	10-1/2"	50-3/4"	43-3/4"
RC2U3R8	RC2U3MV	2	FB32T8	6"	27"	27-1/2"	
RC417R8	RC417MV	4	F17T8	5-1/4"	15"	24-1/2"	19-3/4"
RC432R8	RC432MV	4	F32T8	5-1/4"	15"	50-3/4"	43-3/4"