

Assembly Instruction Sheet #S-1103P16-10 For Style 1103P16-10

Total Required: Fluorescent screwdriver, Phillips screwdriver, pliers, wire cutters, wire strippers, electrical tape, safety glasses.

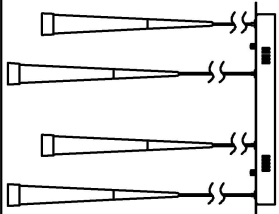
Light Source: (1) 120V LED 24W DIMMABLE (4000K)
Estimated Assembly Time: 20-30 minutes
Preparation: Identify and inspect all parts before beginning installation. Check package content list and diagrams below to be sure all parts are present. If any parts are missing or damaged, do not attempt to assemble, install, or operate the fixture. Contact customer service for replacement parts.

⚠ Warnings and Cautions

Turn off electricity at circuit breaker or main fuse box before installation. Consult a licensed electrician if in doubt. These instructions are provided for your safety. It is very important you read them completely before installing the fixture. We strongly recommend that a licensed, professional electrician perform the installation. Disconnect fixture from power source before replacing bulbs. Make sure bulbs are given sufficient time to cool before removal.

Package Contents

A Fixture Body X1



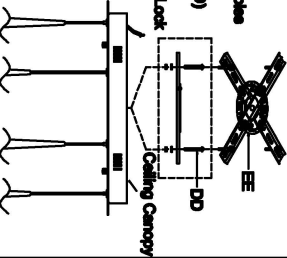
Hardware Contents

PART	DESCRIPTION	QUANTITY
AA	Cap Nut	4pcs
BB	Wire Nut	2pcs
CC	Outlet Box Screw	2pcs
DD	Mounting Screw	4pcs
EE	Mounting Bracket	1pc

STEP 1 – Attach Mounting Screws, Lock Washers and Hex Nuts to Mounting Bracket.

A. Line up a set of holes on the Mounting bracket (EE) and Hole on the ceiling canopy. Thread Mounting Screws (DD) into the holes on the Mounting bracket (EE). Pass Lock Washers and thread Hex Nuts onto the Mounting Screws (DD). Hand tighten until snug.

Figure 1



STEP 2 – Attach Mounting Bracket to Outlet Box
A. Pass the supply wires through the Mounting bracket (EE). Attach the mounting bracket (EE) to the Outlet Box with the head of the Green Ground Screw feeding you. Secure it with Outlet Box Screws (CC). Tighten until snug.

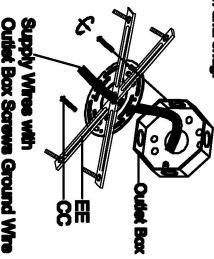
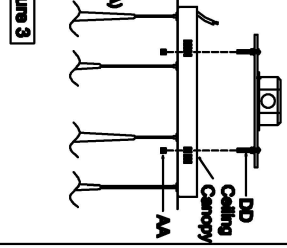


Figure 2

STEP 3 – Fit Ceiling Canopy to Mounting Bracket Assembly

A. Fit the ceiling canopy to Mounting Screws (DD) and secure with Cap Nut (AA). Note: The ceiling canopy should be snug against the ceiling and the Cap nut (AA). If not, adjust the length of the Mounting Screws (DD) by unscrewing the Hex Nut and Lock Washer and then screwing Mounting Screws (DD) in or out of the Mounting bracket (EE) until the correct length is achieved. Once the ceiling canopy is secure, remove the Cap nut (AA) and ceiling canopy and proceed to Step 4.

Figure 3



STEP 4 – Wire Connections
A. Use standard wire connectors to make all wire connections. Twist connectors until wires are tightly joined together. Wrap each connection with approved electrical tape and carefully stuff all the connected wires into the Outlet Box.

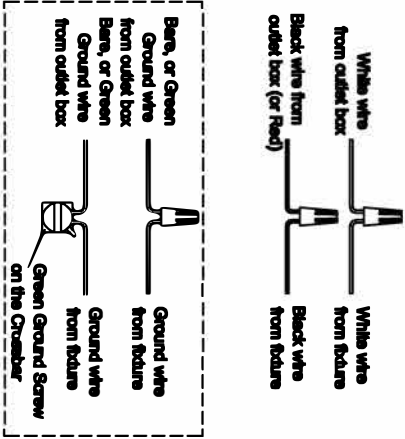


Figure 4

STEP 5 – Install Ceiling Canopy to Ceiling
A. Carefully tuck all wires into the outlet box and position the ceiling canopy of the Fixture Body (A) over the outlet box. Align the holes in the ceiling canopy with the Mounting Screws (DD). Secure with Mounting Screws (AA) and hand tighten until snug.

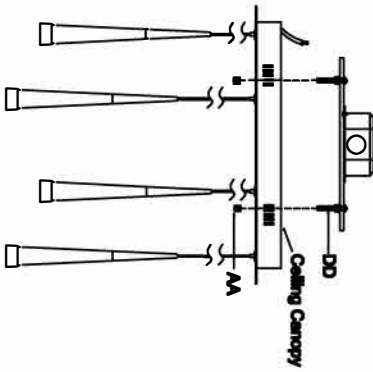


Figure 5