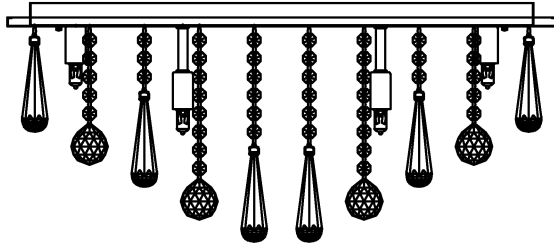


Trade Mark:  
CRYSTAL WORLD INC

Product Name: Ceiling lamp  
Model :5035C24C-S  
120Vac, 60Hz,AC ONLY  
Lamp size:L24"XW24"\*H10"

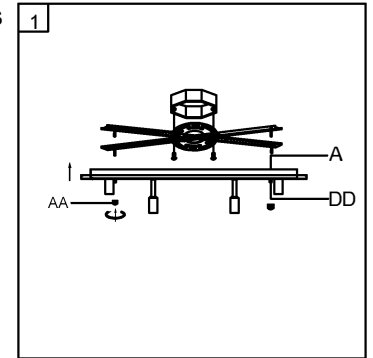


## CEILING LAMP ASSEMBLY INSTRUCTIONS

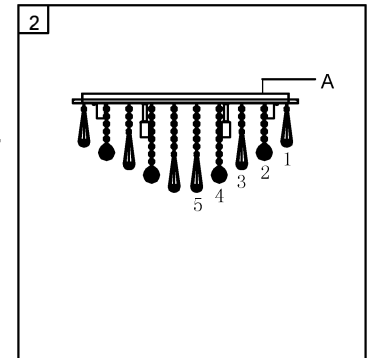
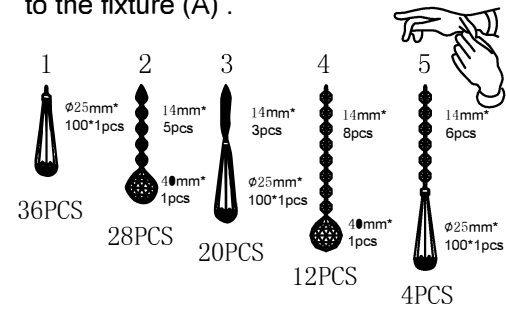
1. Place fixture(A) onto mounting screws (DD).secure with cap nuts (AA) .


### Hardware Used

AA Cap nut  X 4  
DD Mounting screw  X 4



2. Please put the crystal(1) (2) (3) (4) (5) to the fixture (A) .



3. Install light bulbs ( not included).  
Use bulb  
**120V G9  12\*40W Max.**

