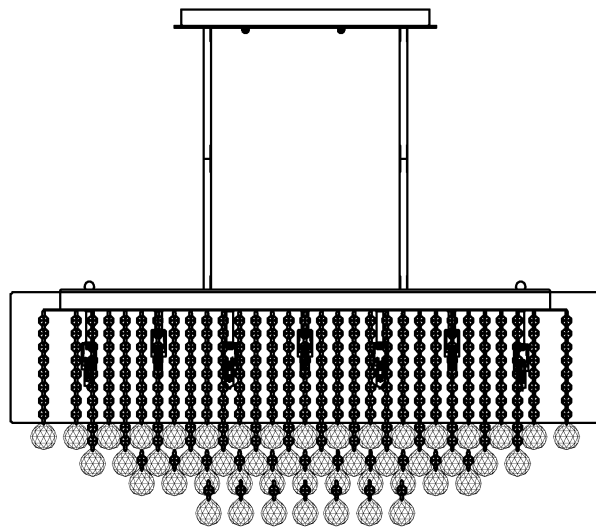


Trade Mark:
CRYSTAL WORLD INC

Product Name: Pendant lamp
Model :5063P36C
120Vac, 60Hz,AC ONLY
Lamp Size:L36**W15**31**H



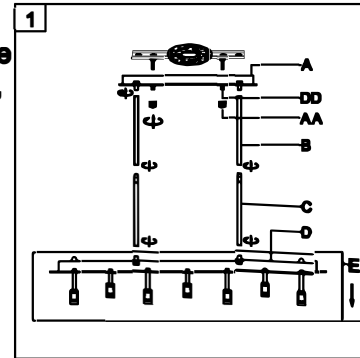
Intertek
4006677

PENDANT LAMP ASSEMBLY INSTRUCTIONS

1. Place fixture(A) onto mounting screws (DD). secure with cap nuts (AA) . Please fix (A) with (B).(B) with (C),(C) with (D), (D) with (E).

Hardware Used

AA Cap nut  X 2
DD Mounting screw  X 2




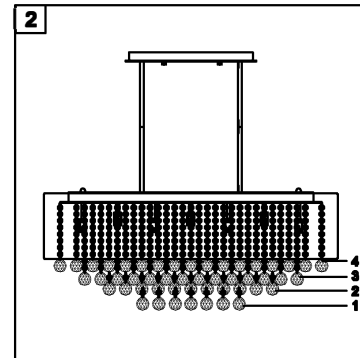
2. Please hang the crystal(1) (2) (3) (4) to the fixture .


1 2 3 4

14mm* 14PCS 14mm* 12PCS 14mm* 10PCS 14mm* 8PCS

40mm* 1PCS 40mm* 1PCS 40mm* 1PCS 40mm* 1PCS

7PCS 18PCS 26PCS 32PCS

3. Install light bulbs (not included).
Use bulb
120V G9  9*40W Max.

