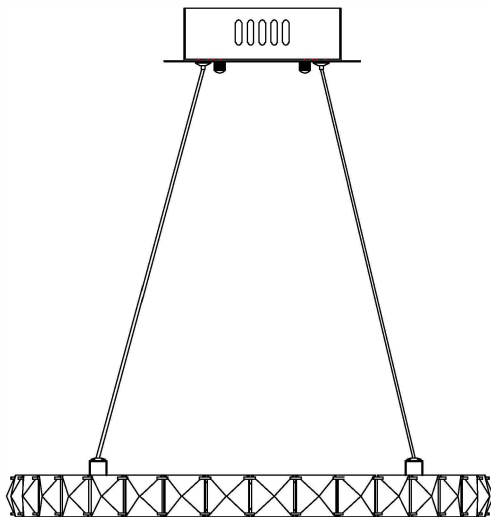


Trade Mark:  
CRYSTAL WORLD INC


Product Name: Pendant lamp  
Model :5080P20ST-R  
120Vac, 60Hz,AC ONLY  
Lamp Size:Ø20"XH118"



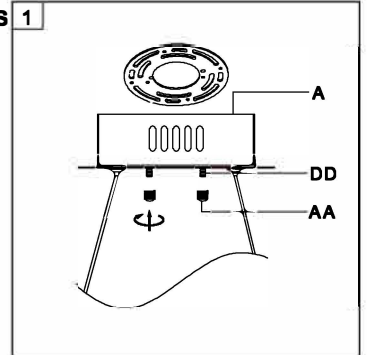
## PENDANT LAMP ASSEMBLY INSTRUCTIONS

1. Place fixture (A) onto mounting screws (DD), secure with cap nuts (AA).

### Hardware Used

AA Cap nut  X 2

DD Mounting screw  X 2



2. lighting bulbs ( not included).

**120V LED  18\*1W  
NOT DIMMABLE (4000K)**

