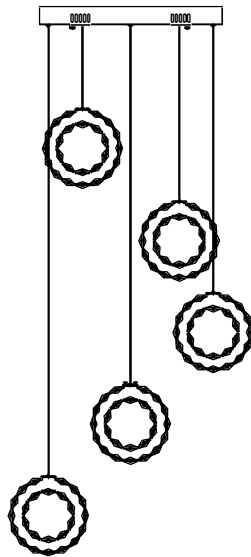


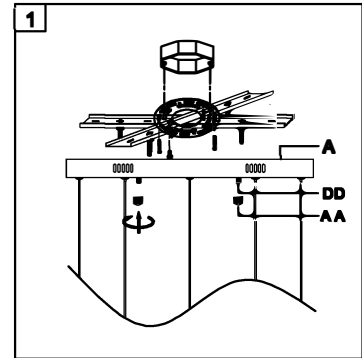
Trade Mark:  
CRYSTAL WORLD INC

Product Name: Pendant lamp  
Model :5417P20ST-R  
120Vac, 60Hz,AC ONLY  
Lamp Size:Ø20\*\*H10"-H59"



## PENDANT LAMP ASSEMBLY INSTRUCTIONS


1. Place fixture(A) onto mounting screws (DD), secure with cap nuts (AA).



### Hardware Used

AA Cap nut  X 4  
DD Mounting screw  X 4

2. Lighting bulbs (not included).

**120V LED  30\*1W DIMMABLE (4000K)**

