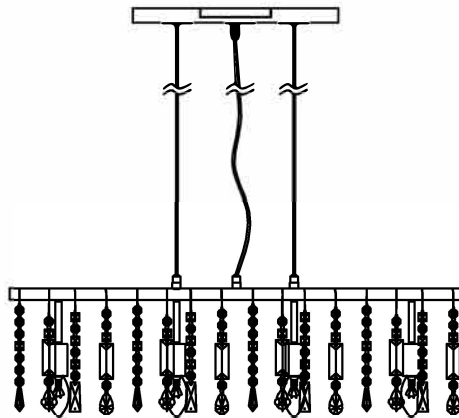


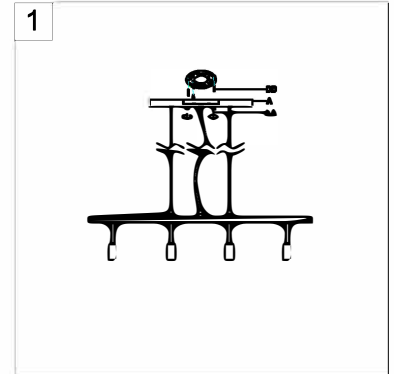
**Trade Mark:
CRYSTAL WORLD INC**

**Product Name: Pendant lamp
Model :5549P30C
120Vac, 60Hz,AC ONLY
Lamp Size:L30"*W5"*H12"~H69"**



PENDANT LAMP ASSEMBLY INSTRUCTIONS

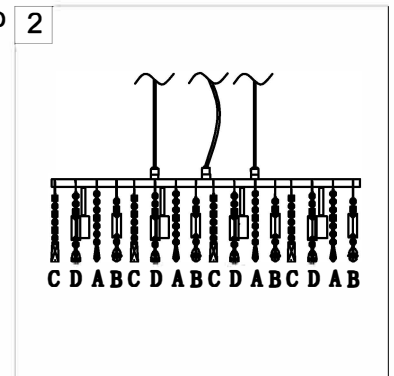
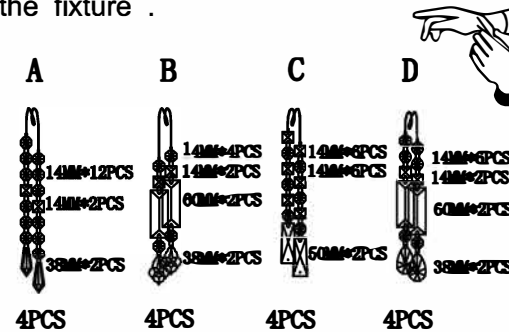
1.Place fixture(A)onto mounting screws (DD).secure with cap nuts (AA).




Hardware Used

DD Mounting screw  X 2
AA Cap nut  X 2

2.Please hang the crystal (A) (B) (C) (D) to the fixture .



3.Install bulbs (NOT INCLUDED).
USE
120V E12  4*40W Max.

