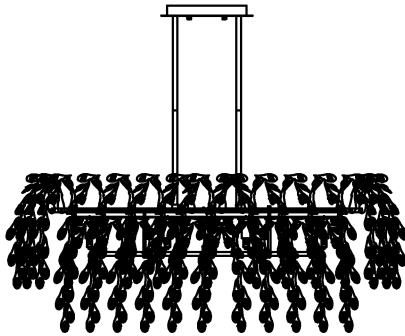


Trade Mark:
CRYSTAL WORLD INC

Product Name: Pendant lamp
Model :5630P37C-0
120Vac, 60Hz,AC ONLY
Lamp Size: L37"*W16"*H43"

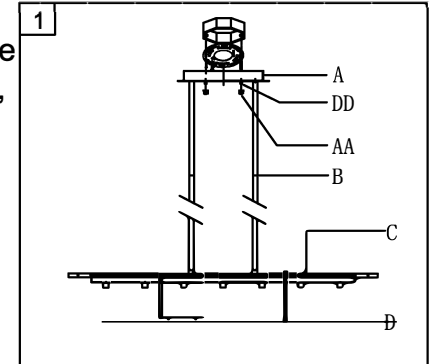


PENDANT LAMP ASSEMBLY INSTRUCTIONS

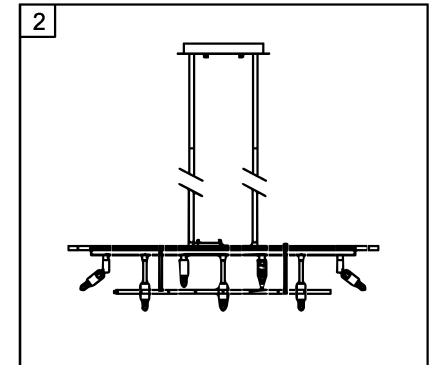
1.Place fixture(A)onto mounting screws (DD).secure with cap nuts (AA) . Please fix (A) with (B).(B) with (C),(C) with (D),

Hardware Used

AA Cap nut  X 2
DD Mounting screw  X 2



2.Install light bulbs (not included).
Use bulb
120V G9 7*60W Max.



3.Install The Crystal

