

# Assembly Instruction Sheet #IS-5685P16

## For Style 5685P16

**Tools Required:** Flathead screwdriver, Phillips screwdriver, pliers, wire cutters, wire strippers, electrical tape, safety glasses.  
**Light Source:** (9) E12 Candelabra Base Bulbs 60W Maximum(Not Include).

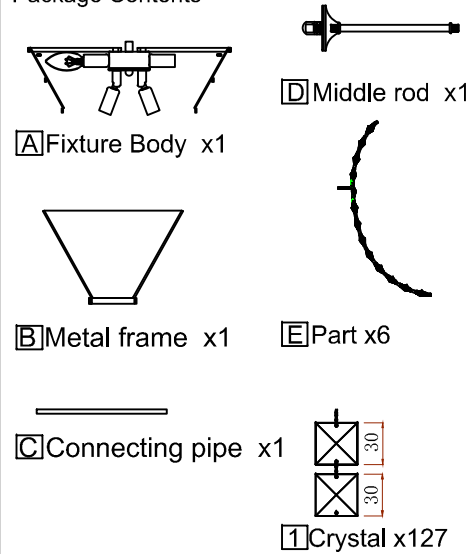
**Estimated Assembly Time:** 20-30 minutes

**Preparation:** Identify and inspect all parts before beginning installation. Check package content list and diagrams below to be sure all parts are present. If any parts are missing or damaged, do not attempt to assemble, install, or operate the fixture. Contact customer service for replacement parts.

### ⚠ Warnings and Cautions

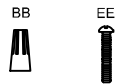
Turn off electricity at circuit breaker or main fuse box before installation. Consult a licensed electrician if in doubt. These instructions are provided for your safety. It is very important you read them completely before installing the fixture. We strongly recommend that a licensed, professional electrician perform the installation. Disconnect fixture from power source before replacing bulbs. Make sure bulbs are given sufficient time to cool before removal.

### Package Contents

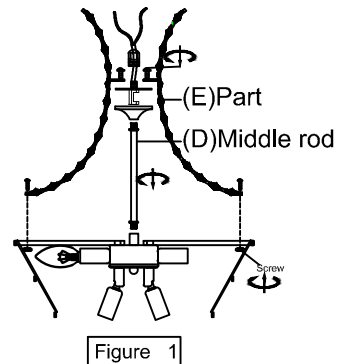


### Hardware Contents

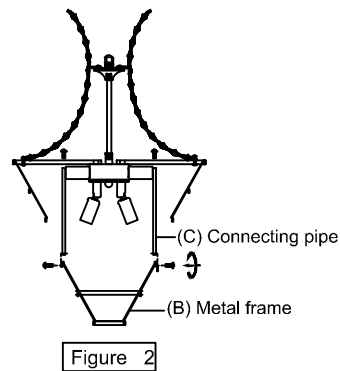
PART	DESCRIPTION	QUANTITY
BB	Wire nut	2pcs
EE	Screw	2pcs



### STEP 1- Install Middle rod



### STEP 2- Install Metal frame.



### STEP 3- Install the Canopy Chain Loop and Nipple

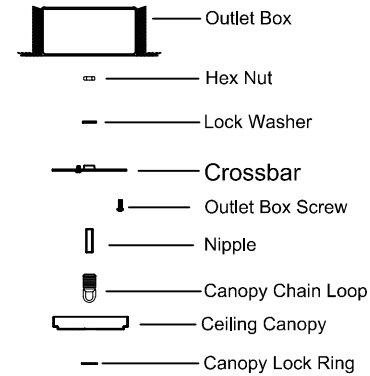
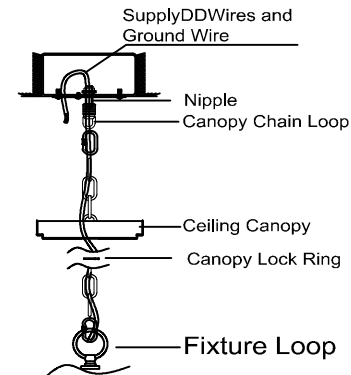


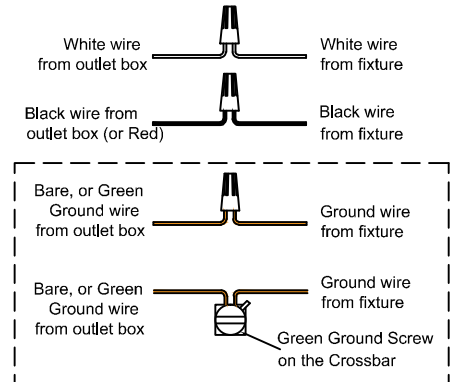
Figure 3

### STEP 4 - Install the Fixture Chain and Ceiling Canopy



### STEP 5 - Wire Connections

A. Use standard wire connectors (not included) to make all wire connections. Twist connectors until wires are tightly joined together. Wrap each connection with approved electrical tape and carefully stuff all the connected wires into the Outlet Box.



### STEP 6 - Install Bulbs and Crystal.

