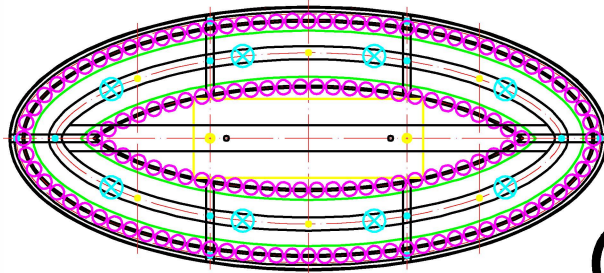
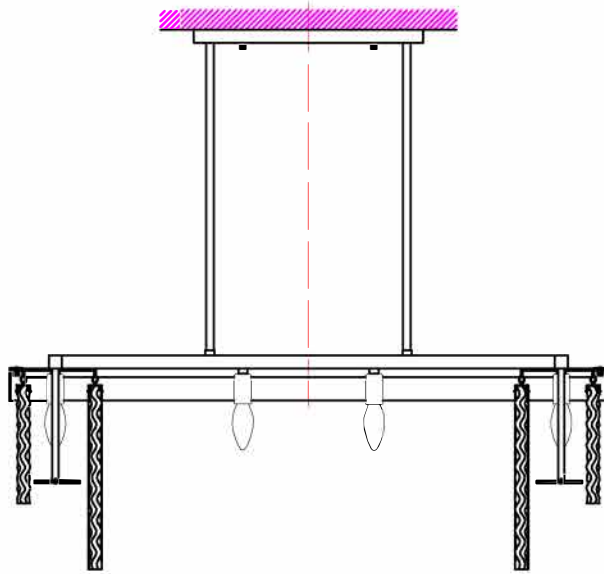


Product Name: Pendant lamp
Model :5695P36-8-601-0
120Vac, 60Hz,AC ONLY
LampSize:L36"*W16"*H13"*H72"

Trade Mark:
CRYSTAL WORLD INC



PENDANT LAMP ASSEMBLY INSTRUCTIONS

1. Install bulbs (NOT INCLUDED). USE 120V E12 8*60W Max.

