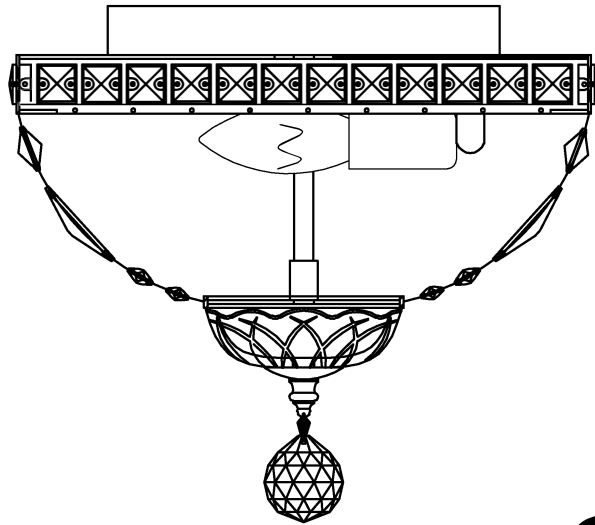


Trade Mark:
CRYSTAL WORLD INC

Product Name: Ceiling lamp
Model :8003C12C
120Vac, 60Hz,AC ONLY
Lamp size:Ø12"XH10"

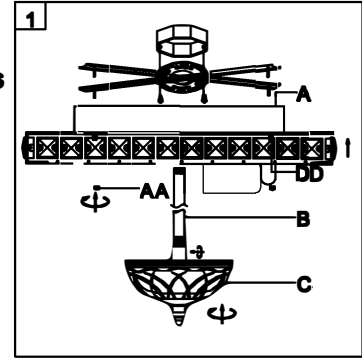


CEILING LAMP ASSEMBLY INSTRUCTIONS

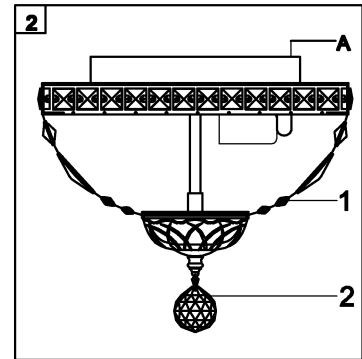
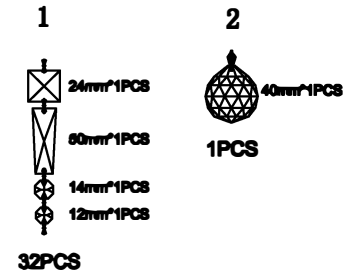
1. Place screw (C) onto (B).
2. Place screw (B) onto fixture(A).
3. Place fixture(A) onto mounting screws (DD).secure with cap nuts (AA).


Hardware Used

- AA Cap nut  X 4
DD Mounting screw  X 4



2. Please put the crystal(1) (2) to the fixture (A) .



3. Install light bulbs (not included).
Use bulb
120V E12  3*40W Max.

