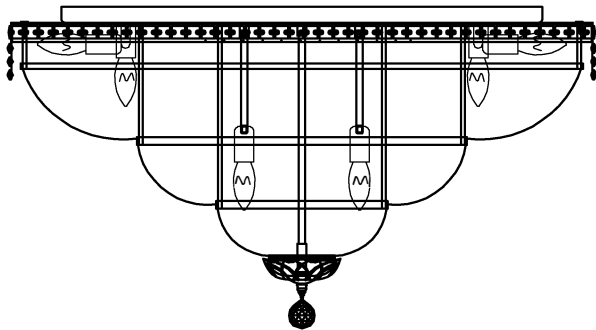


Trade Mark:  
CRYSTAL WORLD INC

Product Name: Ceiling lamp  
Model :8003C36C  
120Vac, 60Hz,AC ONLY  
Lamp size: Ø36"XH20"

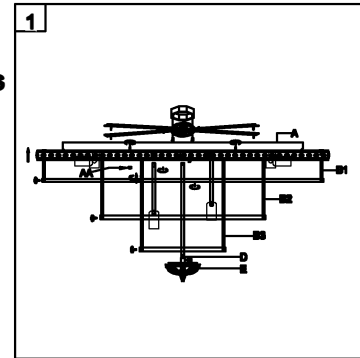


## CEILING LAMP ASSEMBLY INSTRUCTIONS

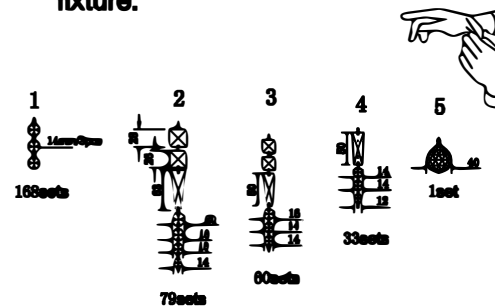
1. Place screw (B1,B2,B3) onto (A).
2. Place screw (E) onto (D).
3. Place screw (D) onto (A).
4. Place fixture(A) onto mounting screws (DD).secure with cap nuts (AA).


### Hardware Used

AA Cap nut  X 4  
DD Mounting screw  X 4



2. Please put the crystal(1) (2) (3) to the fixture.



3. Install light bulbs ( not included).  
Use bulb  22\*40W Max.

