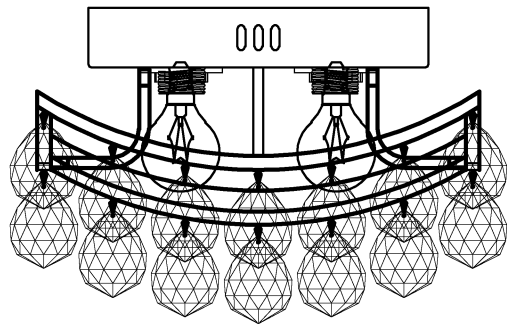


Trade Mark:  
CRYSTAL WORLD INC

Product Name: Ceiling lamp  
Model :8038C10C-S  
120Vac, 60Hz,AC ONLY  
Lamp size:L10"XL10"XH7"

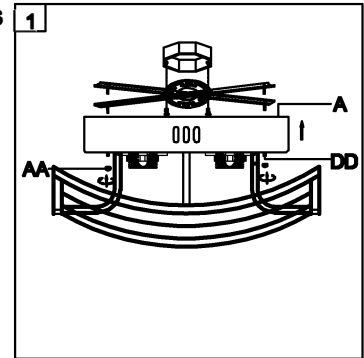


## CEILING LAMP ASSEMBLY INSTRUCTIONS

1.Place fixture(A) onto mounting screws (DD).secure with cap nuts (AA).

### Hardware Used

AA Cap nut  X 4  
DD Mounting screw  X 4

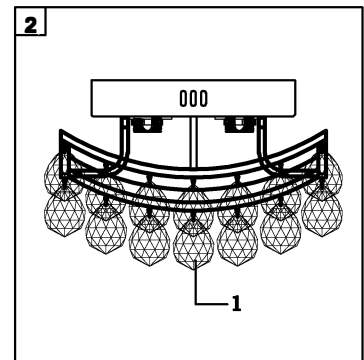



2.Please put the crystal (1) to the fixture .

1

 40mm\*1pcs

49PCS



3.Install light bulbs ( not included).  
Use bulb  
120V E12  4\*40W Max.

