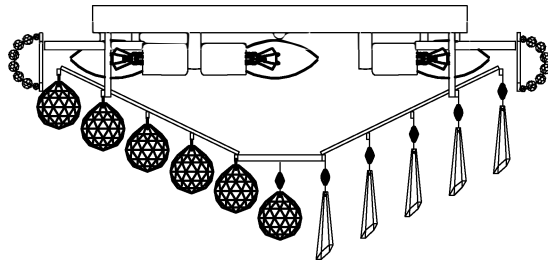


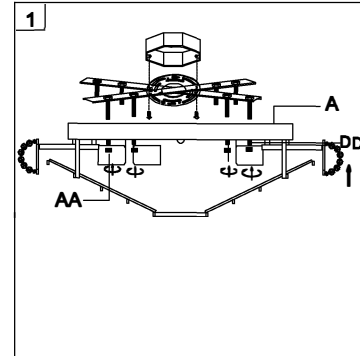
Trade Mark:
CRYSTAL WORLD INC

Product Name: Ceiling lamp
Model :8040C20C
120Vac, 60Hz,AC ONLY
Lamp size:Ø20"XH9"



CEILING LAMP ASSEMBLY INSTRUCTIONS




1.Place fixture(A)onto mounting screws (DD).secure with cap nuts (AA).

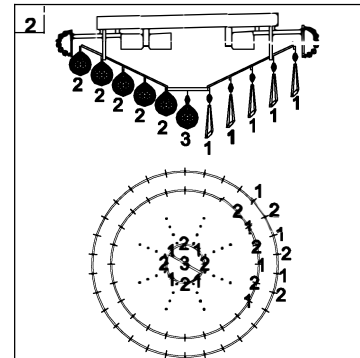



Hardware Used

AA Cap nut  X 4
DD Mounting screw  X 4

2.Please open the clear plastic bag carefully.and put the crystal(1)(2)(3) to the fixture .

1  14mm*1PCS
2  40mm*1PCS
3  14mm*1PCS
60PCS 60PCS 1PCS



3.Install light bulbs (not included).
Use bulb
120V E12  7*40W Max.

