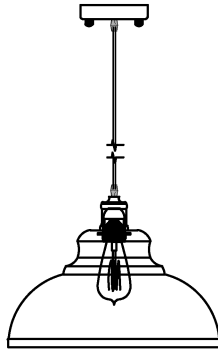


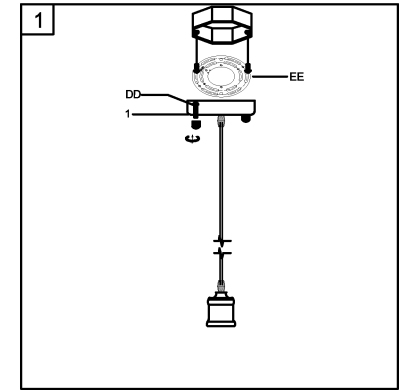
Trade Mark:  
CRYSTAL WORLD INC

Product Name: Ceiling lamp  
Model :9612P15-1-128  
120Vac, 60Hz,AC ONLY  
Lamp Size:D15"\*H10"~H69"




## CEILING LAMP ASSEMBLY INSTRUCTIONS

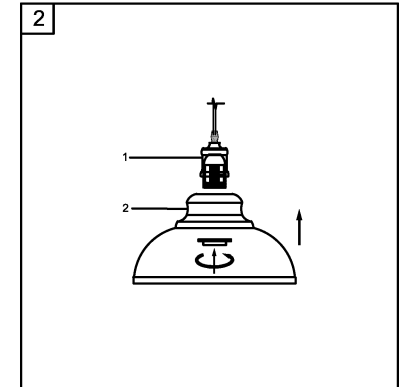
- 1.Place fixture (1) onto Crossbar (EE).  
secure with Mounting screw (DD).



### Hardware Used

DD Mounting screw  X 2

- 2.Please fix part (2) with part (1).



3. Install lighting bulbs ( not included).

USE 120V E27  1\*40W Max.

