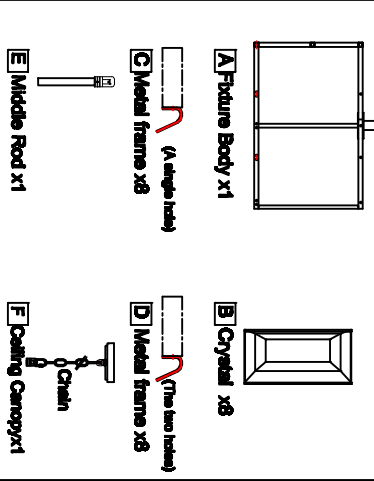


Assembly Instruction Sheet #IS-9860P19 For Style 9860P19

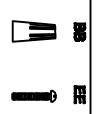
Tools Required: Flathead screwdriver, Phillips screwdriver, pliers, wire cutters, wire strippers, electrical tape, safety glasses.
Light Source: (2) E12 Candelabra Base Bulbs 60W Maximum(watt include).
Estimated Assembly Time: 20-30 minutes
Preparation: Identify and inspect all parts before beginning installation. Check package content list and diagrams before to be sure all parts are present. If any parts are missing or damaged, do not attempt to assemble, install, or operate the fixture. Contact customer service for replacement parts.

Warnings and Cautions
 Turn off electricity at circuit breaker or main fuse box before installation. Consult a licensed electrician if in doubt. These instructions are provided for your safety. It is very important you read them completely before installing the fixture. We strongly recommend that a licensed, professional electrician perform the installation. Disconnect fixture from power source before replacing bulbs. Make sure bulbs are given sufficient time to cool before removal.

Package Contents



Hardware Contents		
PART	DESCRIPTION	QUANTITY
BIS	Wire nut	2pcs
EE	Outlet Box Screw	2pcs



STEP 1 - Install Middle Rod to Fixture Body.

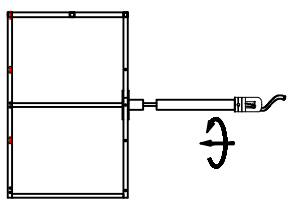


Figure 1

STEP 2 - Install Metal frame to Fixture Body.

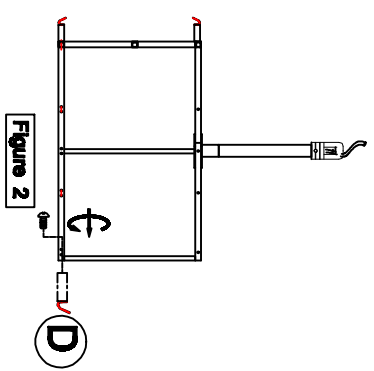


Figure 2

STEP 3 - Install the Canopy Chain Loop and Nipple

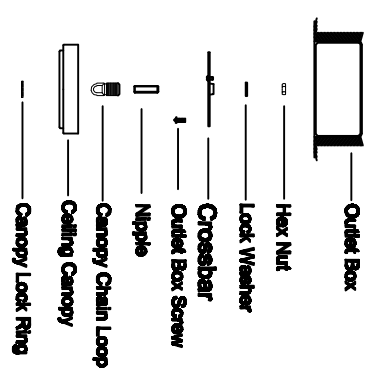


Figure 3

STEP 5 - Wire Connections

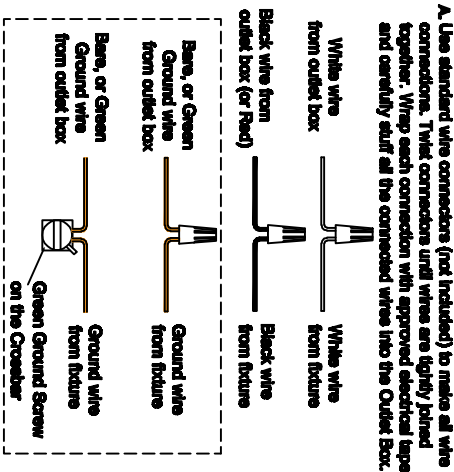


Figure 5

STEP 4 - Install the Fixture Chain and Ceiling Canopy

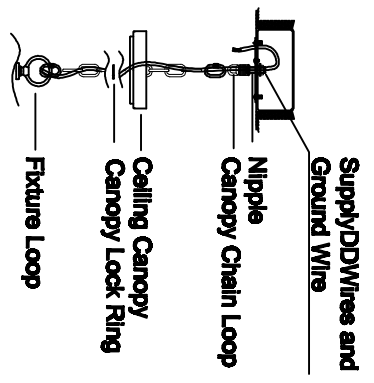


Figure 4

STEP 6 - Install Crystal and Bulbs.

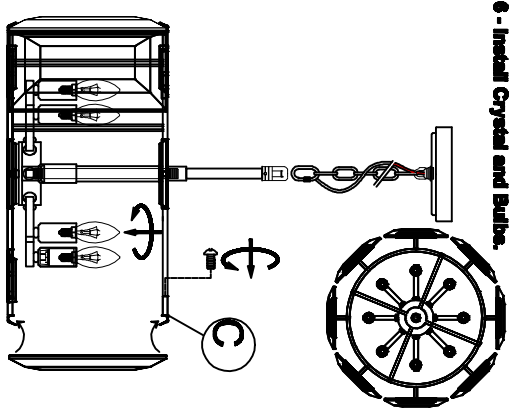


Figure 6