

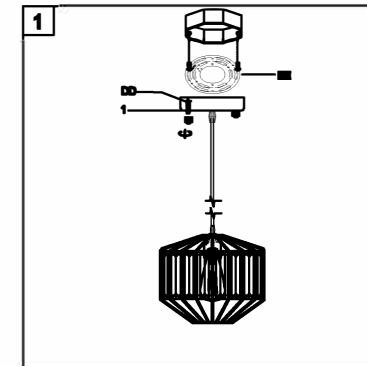
**Product Name: Ceiling lamp**  
**Model :9942P10-1-101-A**  
**120Vac, 60Hz,AC ONLY**  
**Lamp Size:D10\*\*H9"~H127"**

**Trade Mark:**  
**CRYSTAL WORLD INC**



## CEILING LAMP ASSEMBLY INSTRUCTIONS

**1. Place fixture (1) onto Crossbar (EE).  
secure with Mounting screw (DD).**



### Hardware Used

DD Mounting screw  X 2

**2. Install lighting bulbs ( not included).**

USE 120V E26  1\*60W Max.

