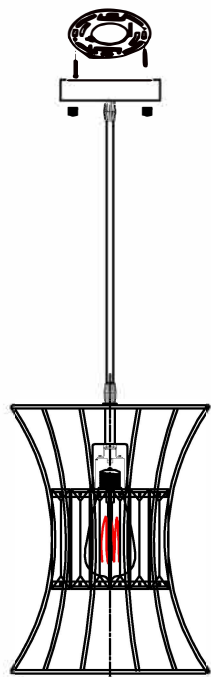


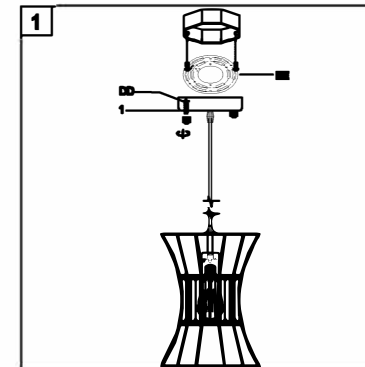
Product Name: Ceiling lamp
Model :9942P10-1-101-B
120Vac, 60Hz,AC ONLY
Lamp Size:D10H13"~H131"**

Trade Mark:
CRYSTAL WORLD INC



CEILING LAMP ASSEMBLY INSTRUCTIONS

1. Place fixture (1) onto Crossbar (EE).
secure with Mounting screw (DD).

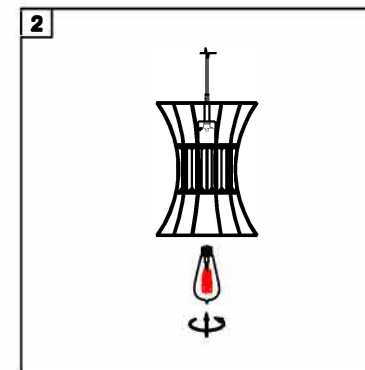


Hardware Used

DD Mounting screw  X 2

2. Install lighting bulbs (not included).

USE 120V E26  1*60W Max.




C UL US
Intertek
4006677