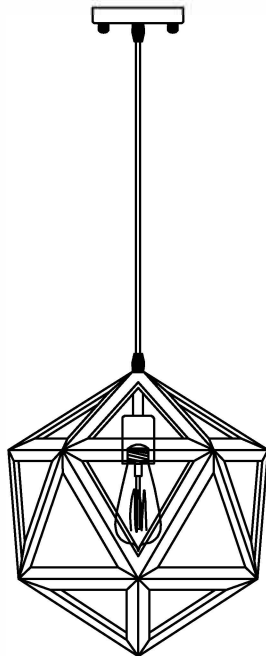


**Trade Mark:
CRYSTAL WORLD INC**

Product Name: Pendant lamp
Model :9945P13-1-101C
120Vac, 60Hz, AC ONLY
Lamp Size:D13"*H15"

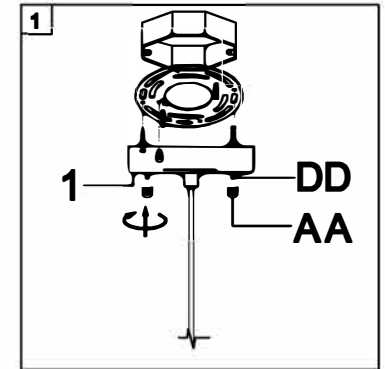


Pendant LAMP ASSEMBLY INSTRUCTIONS


1. Place fixture (1) onto mounting screws (DD). Secure with Cap nut (AA).

Hardware Used

AA Cap nut  X 2
DD Mounting screw  X 2



2. Install lighting bulbs (not included).

USE 120V E26  1*40W Max.

