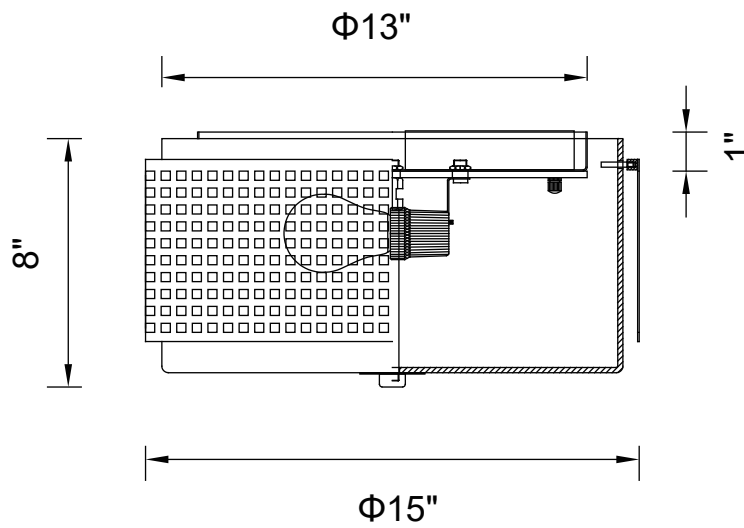




PROJECT: \_\_\_\_\_  
 FIXTURE TYPE: \_\_\_\_\_  
 LOCATION: \_\_\_\_\_  
 CONTACT/PHONE: \_\_\_\_\_



|            |                 |
|------------|-----------------|
| Item       | 5209C15B        |
| Collection | CHECKERED       |
| Finish     | Black           |
| Glass      | Forsted         |
| Crystal    | -----           |
| Input      | 120V AC,60HZ,AC |

|             |       |
|-------------|-------|
| Shade       | ----- |
| Length/Dia. | 15"   |
| Width/Ext.  | ----- |
| Height      | 8"    |
| Maximum     | ----- |
| Lumens      | ----- |

|              |       |
|--------------|-------|
| Light Source | E26   |
| Bulb Info.   | 2x60W |
| Included     | ----- |
| Dimmable     | Yes   |
| Color        | ----- |
| Weight       | ----- |

