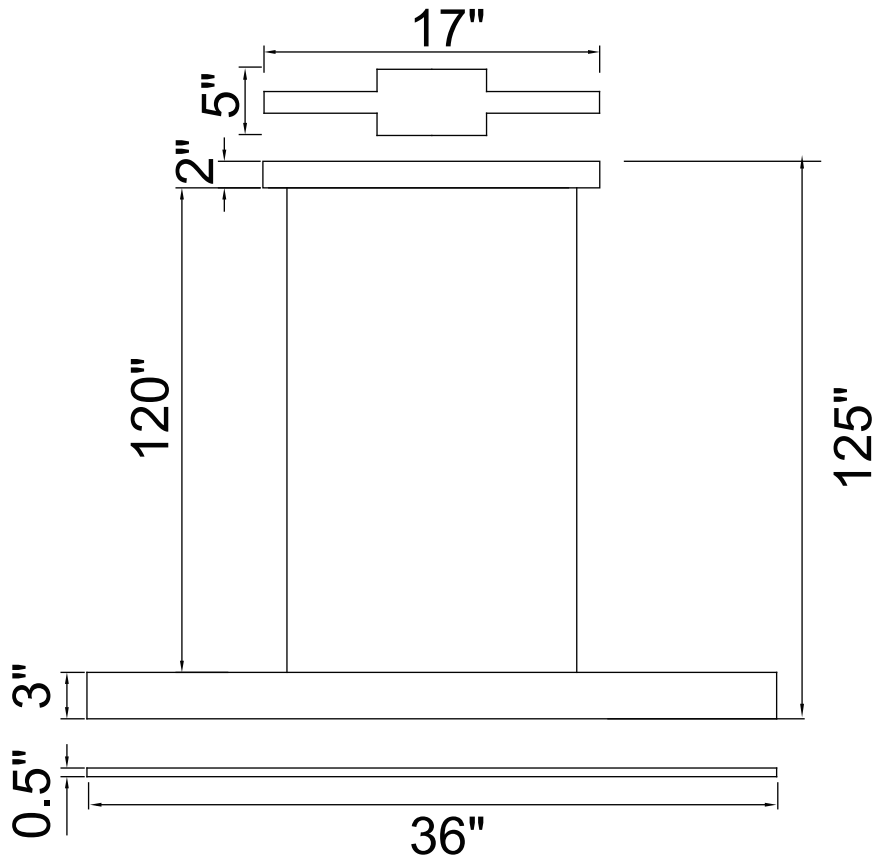




PROJECT: _____
 FIXTURE TYPE: _____
 LOCATION: _____
 CONTACT/PHONE: _____



| | |
|------------|------------------|
| Item | 7145P36-1-266-RC |
| Collection | KRISTA |
| Finish | Satin White |
| Glass | ----- |
| Crystal | ----- |
| Input | 120V AC,60HZ,AC |

| | |
|-------------|-------|
| Shade | ----- |
| Length/Dia. | 36" |
| Width/Ext. | 0.5" |
| Height | 3" |
| Maximum | 125" |
| Lumens | 800 |

| | |
|--------------|-------|
| Light Source | LED |
| Bulb Info. | 20W |
| Included | ----- |
| Dimmable | Yes |
| Color | 3000K |
| Weight | 2.2KG |