

CRYO₂-FOG

a Look Solutions product

The compact low fogger.



homogeneous low fog

small & powerful

made in Germany

The **Cryo-Fog** is a powerful 2200 Watt low fog machine.

The **Cryo-Fog** is a fog generator, a fan and a cooling chamber built into a compact flightcase (67 x 51 x 30 cm) with space next to the fog generator to hold a 5ltr can of fluid.

Liquid CO₂ is used to cool down the fog of the inbuilt low temperature fog generator. Therefore the machine produces thick low fog which distributes evenly.

The machine is powerful enough to fill even big stages with low fog within a short time.

The liquid CO₂ is delivered from a low pressure tank (20 - 24 bar), which is connected to the machine via a hose.

The intelligent technology ensures sure that the fogging process will not start before the cooling chamber has reached the right temperature. As a result, no "warm" fog - which will go upwards - can escape from the machine.

The **Cryo-Fog** benefits from its compact size, the low weight, the powerful output, the low noise and the easy operation.

Features

- DMX 512 as standard

The **Cryo-Fog** can be controlled via *DMX 512*. The machine uses three channels on the desk. So, the pump, the fan and also the CO₂-valve can be adjusted separately.

If the **Cryo-Fog** is controlled via DMX, the machine can also be used as a "normal" fog generator. The DMX start address can be adjusted and saved via the control panel.

The machine can also be controlled with *analogue* (0 - 10 V) via a lighting desk or via XLR-remote (option). The fogging process starts automatically as soon as the cooling chamber has reached the right temperature.

A *stand-alone-mode* is also possible. The adjustment of the pump is done directly at the machine. The fan runs automatically. A short press at the start button makes the machine run and the fogging process starts as soon as the cooling chamber has reached the right temperature. Therefore to keep the start button pressed permanently is unnecessary.

- Control panel

The control panel with LED-display has simple symbols to allow for easy operation. It also protects the control buttons against dirt.

- Fine adjustments of the output

Digital technology makes fine adjustment of the pump possible. In steps of 1% the output can be adjusted from 0 - 99%. Thus, any desired effect from a tiny fog-cloud to the thickest fog can be produced. This enables the **Cryo-Fog** to be used in both small and large locations.

Fluid

Special fluid is needed to run the **Cryo-Fog**.

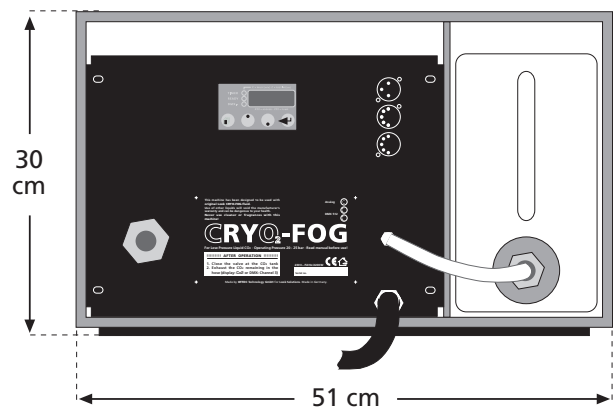
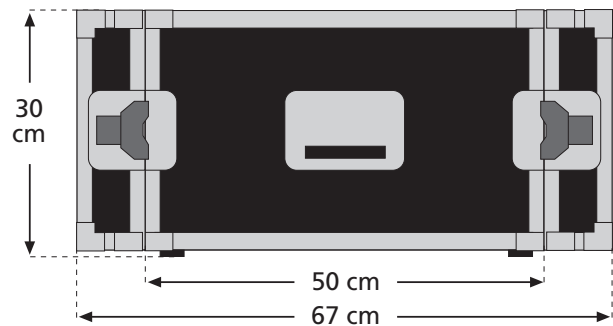
Technical data

Procedure	vaporizing fog generator with cooling system
Power requirement	2200 Watt
Voltage	230V/50Hz
Warm up time	approx. 7 min.
Fluid consumption at max. output at 50% output	100 ml/min. 40 ml/min.
Liquid CO₂ consumption at max. output	2 kg/min.
Fluid tank capacity	5 liter
Fog output	adjustable in 99 steps
Fogging time	continuous output
Control	DMX 512 0 - 10 V analog Stand-alone-Mode
Temperature control	Microprocessor controlled
Overheating protection	Heater block/Thermostat Pump/Thermal switch
Dimensions (L x W x H)	67 x 51 x 30 cm
Weight without bottle	28 kg

Advantages

- Fog generator, fan and cooling system in a compact case
- DMX as standard, analogue (0 - 10V) and Stand-alone-Mode
- In the DMX-Mode the pump, the fan and the CO₂-valve can be adjusted separately
- Can be used as a "normal" fog generator in DMX-Mode
- Low fogging process starts automatically only if the cooling chamber has reached the right temperature
- Easy handling
- Powerful output
- Fogging output adjustable in steps of 1% from 0 - 99%
- Continuous output
- Easy bottle changing with quick-out connectors
- Made in Germany

Dimensions



Accessories

- XLR-Remote for analogue control
- Hose

Service

Based on the strong partnership with the German manufacturer OTTEC Technology GmbH, Look Solutions is able to provide a quick and easy service which guarantees the high quality of all products with the motto „innovation by communication“.