

**ASSEMBLY&INSTALLATION**

*Please read carefully and save these instructions,as you may need them a later date.*

**CAUTION**

Turn off the main power at the circuit breaker before installing the fixture, in order to prevent possible shock.

**GENERAL**

All electrical connections must be in accordance with local and National Electrical Code (N.E.C) standards. If you are unfamiliar with proper electrical wiring connections obtain the services of a qualified electrician.

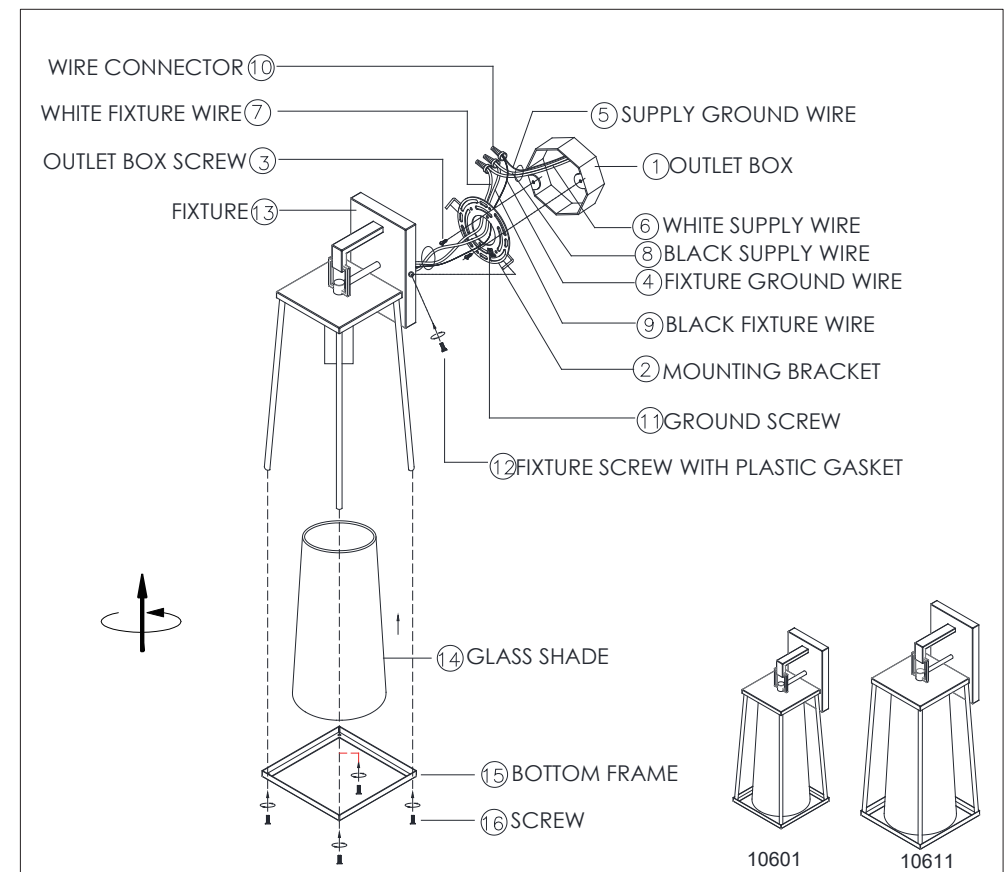
Remove the fixture and the mounting package from the box and make sure that no parts are missing by referencing the illustrations on the installation instructions.

**ASSEMBLY AND INSTALLATION**

1. Carefully unpack the fixture, lay out all parts on a clean surface.
2. Mount the mounting bracket (2) to the outlet box(1) (not included) using the outlet box screws (3).
3. Wrap the ground wire (4) from the fixture around the ground screw (11) on the mounting bracket (2). Use a wire connector (10) to connect the ground wire (4) from the fixture to the ground wire (5) from the outlet box.
4. Use a wire connector (10) to connect the white wire (7) from the fixture to the white wire (6 neutral wire) from the outlet box. Use a wire connector (10) to connect the black wire (9) from the fixture to the black wire (8 live wire) from the outlet box. Position the wires inside the outlet box.
5. Place glass shade (14) over socket to the fixture (13). Then Align the holes of bottom frame (15) to the bottom of the tube of the fixture (13), securing with screws (16).
6. Place the fixture (13) onto themounting bracket (2), and secure it into place using the fixture screw with plastic gasket (12) provided.

**ASSEMBLY AND INSTALLATION (CONT.)**

7. To prevent moisture from entering the outlet box and the fixtures mounting plate causing a short, apply a bead of clear caulk to outline the outside of the fixtures mounting plate where it meets the wall. Leave a small space at the bottom to allow any condensation or moisture to escape.
8. Install the bulb (notincluded) into the socket. Make sure they do not exceed the maximum wattage specified on the fixture's wattage rating label.
9. Turn on the power.

**INSTALLATION IS NOW COMPLETED**

ITEM NO.: 10601 , 10611