

13201

INSTALLATION INSTRUCTIONS

Please read carefully and save these instructions as you may need them a later date.

CAUTION

WARNING: Risk of Fire. Consult a qualified electrician to ensure correct branch circuit conductor.

Turn off the main power at the circuit breaker before installing the fixture in order to prevent possible shock.

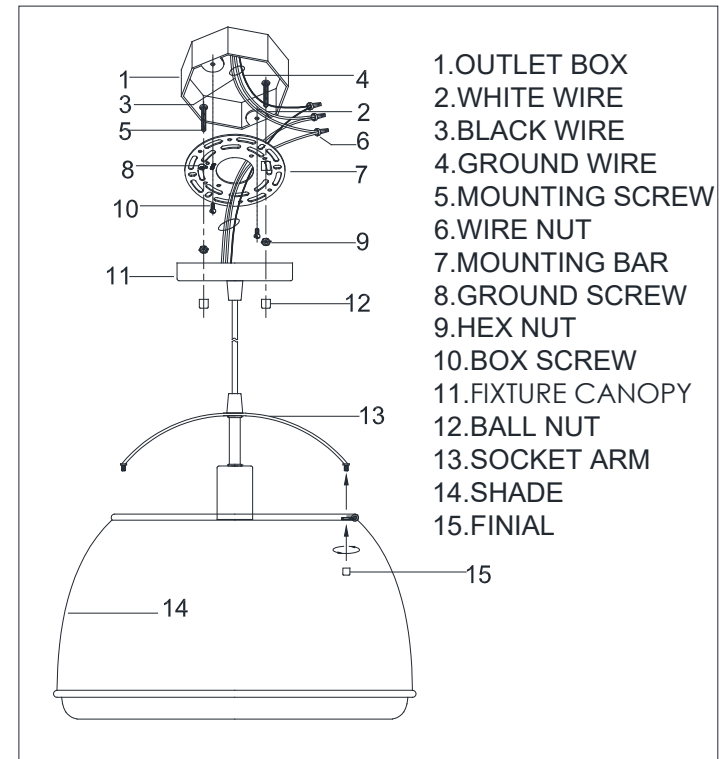
GENERAL

All electrical connections must be in accordance with local and National Electrical Code (N.E.C.) standards. If you are unfamiliar with proper electrical wiring connections obtain the services of a qualified electrician.

Remove the fixture and the mounting package from the box and make sure that no parts are missing by referencing the illustration.

ASSEMBLY AND INSTALLATION

1. Thread two mounting screws (5) through the mounting bar (7) and secure with the hex nut (9).
2. Attach the mounting bar (7) with box screw (10) to the outlet box (1).
3. Pull out the outlet wires and ground wire from the outlet box, make wire connections with wire nut (6) as follow:
 - Connect the smooth-coated wire (w marking) or Black wire from fixture to the Black wire (3) from power source.
 - Connect the ribbed-coated wire (w/o marking) or White wire from fixture to the White wire (2) from power source.
 - Attach the fixture ground wire to mounting bar (7) with the ground screw (8). Connect it to the house ground wire (4) with the wire nut (6).
4. Attach the fixture canopy (11) to the outlet box (1), secure it with the ball nut (12).
5. Align the socket arm (13) with the top of shade (14) and secure together by finials (15).
6. Install bulbs: (bulbs not included)
(Don't exceed the maximum capacity recommended on the sockets).



INSTALLATION IS NOW COMPLETED