

# INSTALLATION AND SAFETY INSTRUCTIONS FOR ITEM NO:211001

## FOR YOUR SAFETY

WARNING:BE SURE THE ELECTRICITY TO THE WIRES YOU ARE WORKING ON IS SHUT OFF:ETHER THE FUSE IS REMOVED OR THE CIRCUIT BREAKER IS SHUT OFF

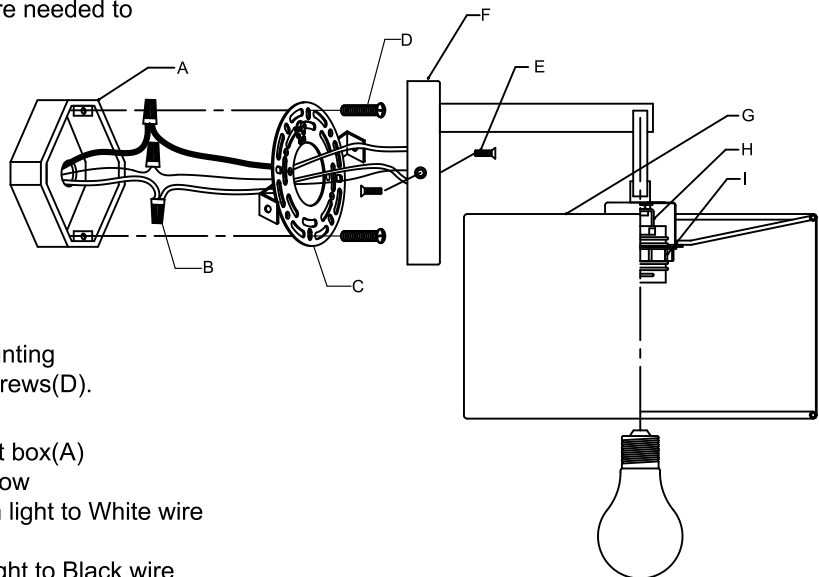
## GENERAL

You don't need special tools to install this fixture  
Be sure to follow the steps in the order given. Under on circumstances should a fixture be hung on house electrical wires nor should a swag type heating system.Read instructions carefully  
If you are unclear as to how to proceed, consult a qualified electrician

NOTE:Proper wiring is essential for the safe operation of this fixture

## FIXTURE ASSEMBLY

Carefully removed the fixture from the carton and check that all parts are included as shown in figure. Be careful to misplace any of the screws or parts, which are needed to install this fixture



## INSTALLATION

STEP 1:Attach round mounting bar(C) with mounting screws to outlet box (A)secured with two box screws(D).

STEP 2:Pull out the source wires from the outlet box(A)  
Make wire connections using wire nuts(B)as follow  
-- Ribbed wire (W/O marking) or white wire from light to White wire from power source.

--Smooth wire (W marking) or black wire from light to Black wire from power source.

--Attach the ground wire to mounting bar secured with a ground screw, then connect the ground wire to ground wire from power source.

Carefully tuck the wires back into the outlet box.

STEP 3: Align the Back plate (F) to the Outlet box, then secure to the round mounting bar(C) with the two screws (E).

STEP 4: Lock the linen fabric shade(G) onto the socket(H) with the socket ring(I) .

STEP 5: Install bulb (bulb not included)

See relamping label at socket area or packaging for maximum allowed wattage

## CLEANING

To clean, Wipe fixture with a soft and dry cloth.  
Do not use abrasive materials such as csouring pads or powders, steel wool or abrasive paper.

Line art shown may not exactly match the fixture enclosed.  
However,the installations do apply to this fixture item on:211001