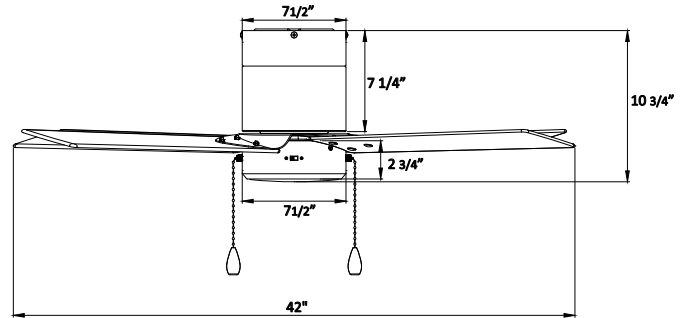


1023__-PC

120V

| | | |
|--------------|--|------|
| Catalog #: | | Type |
| Project: | | Date |
| Prepared by: | | |

Metalis 4-Blade, 42" Sweep Hugger, Pull Chain



DESCRIPTION

The clean lines and modern design of The Metalis Series adds style to any contemporary space. The efficient integrated LED light kit provides ample illumination and energy savings over traditional sources.

DESIGN FEATURES

Motor

- 4-Speed, reversible
- 153 x 9 mm
- RPM: 200 (at highest speed)
- 44W | 3000CFM | 68CFM/W
- CFM/W
 - Low: 134 High: 68
- 3 capacitors
- 12" Lead wire
- Motor finishes: Brushed Nickel, Oil Rubbed Bronze or White

Blades

- 4-Blade, 42" sweep
- MDF Blades: *To avoid fan blade warping - fan must be installed in a climate controlled environment*
- 12° blade pitch
- Blade finishes: Natural Maple, Brushed Nickel, Walnut and White

Light Kit

- Integrated light kit: 15W LED 700lms, 3000K, 80CRI, dimmable

Dimensions

| | | |
|-----------------------|-----------------|-----------------------|
| 10-7/8" | 7-1/2" | 8-1/2" |
| Height (lowest point) | Width (housing) | Height (top of blade) |

Controls:

- Pull Chain
- Optional Remote Control (sold separately) RC-6 and RC-8
- Optional Wall Control (sold separately) WC-4, WC-8, WC-13 and WC-16

Certifications

- UL Listed
- Limited Lifetime Warranty

ORDERING

Example: 1023WW-PC

| Model # | Finish |
|-----------|---|
| 1023__-PC | |
| 1023__-PC | BN : Brushed Nickel / Natural Maple BN-WT : Brushed Nickel / Walnut BN-BN : Brushed Nickel / Brushed Nickel OB : Oil Rubbed Bronze / Walnut WW : White / White |

TEL: 800.937.6925 | Fax: 800.207.9509 | www.rplighting.com

Specifications and dimensions subject to change without notice.



4-Blade 42" Sweep, Pull Chain