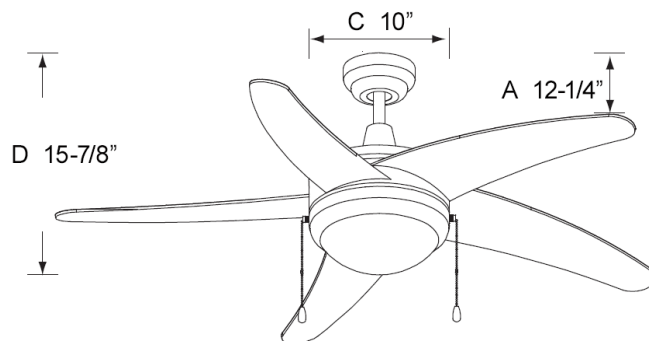


1025LED

120V

Catalog #:		Type
Project:		Date
Prepared by:		

Mirage I - 5-Blade, 50" Sweep, LED



1025LED Mirage I

DESCRIPTION

The clean lines and modern design of The Mirage I Series add style to any contemporary space. The economical LED light kit provides ample illumination and simplicity.

DESIGN FEATURES

Motor

- 3-Speed reversible
- 153 x 15 mm
- RPM: 215 (at highest speed)
- 66W | 5700 CFM | 87CFM/W
- CFM/W
- Low: 185 Medium: 140 High: 87
- 3 capacitors
- 76" Lead wire
- Motor finishes: Brushed Nickel, Oil Rubbed Bronze, White & Black

Controls:

- Pull Chain
- Optional Remote Control (sold separately) RC-6 and RC-8
- Optional Wall Control (sold separately) WC-4, WC-8, WC-13 and WC-16

Certifications

- cETLus Listed
- Limited Lifetime Warranty

Blades

- 5-Blade, 50" sweep
- Plywood construction: *To avoid fan blade warping - fan must be installed in a climate controlled environment*
- 12° pitch
- Blade finishes: Brushed Nickel, Oil Rubbed Bronze, White & Black

Light Kit

- Integrated LED light kit option: satin white glass, 16W LED, 3000k, 1200lms (source), 840lms (delivered), dimmable
 - Replacement glass: 1079-G-LED

Dimensions

15-7/8"	10"	12-1/4"
Height (lowest point)	Width (housing)	Height (top of blade)

ORDERING		Example: 1025LEDWH	
Model #	Finish		
1025			
1025	WW	:	White / White
	BK	:	Black / Black
	BN	:	Brushed Nickel
	OB	:	Oil Rubbed Bronze

TEL: 800.937.6925 | Fax: 800.207.9509 | www.rplighting.com

Specifications and dimensions subject to change without notice.

