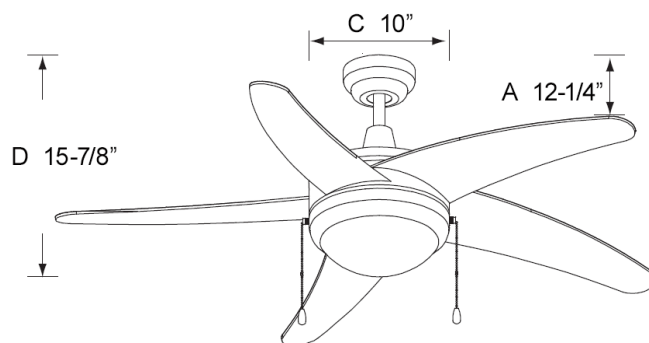


1025__-E26-L

120V

Catalog #:		Type
Project:		Date
Prepared by:		

Mirage I - 5-Blade 50" Sweep, E26



1025-E26 Mirage I

DESCRIPTION

The clean lines and modern design of The Mirage I Series add style to any contemporary space. The economical E26 light kit provides ample illumination and simplicity.

DESIGN FEATURES

Motor

- 3-Speed reversible
- 153 x 15 mm
- RPM: 215 (at highest speed)
- 66W | 5700 CFM | 87CFM/W
- CFM/W
- Low: 185 Medium: 140 High: 87
- 3 capacitors
- 76" Lead wire
- Motor finishes: Brushed Nickel, Oil Rubbed Bronze, White & Black

Controls:

- Pull Chain
- Optional Remote Control (sold separately)
- RC-6 and RC-8
- Optional Wall Control (sold separately)
- WC-4, WC-8, WC-13 and WC-16

Certifications

- cETLus Listed
- Limited Lifetime Warranty

Blades

- 5-Blade, 50" sweep
- Plywood construction: *To avoid fan blade warping - fan must be installed in a climate controlled environment*
- 12° pitch
- Blade finishes: Brushed Nickel, Oil Rubbed Bronze, White & Black

Light Kit

- E26 light kit option: satin white glass, 2 x 9W E26 LED 3K (warm white) lamps included
 - Replacement glass: 1079-G-E26

Dimensions

15-7/8"	10"	12-1/4"
Height (lowest point)	Width (housing)	Height (top of blade)

ORDERING

Example: 1025WH-E26-L

Model #	Finish
1025__-E26-L	
1025__-E26-L	WW : White / White BK : Black / Black BN : Brushed Nickel OB : Oil Rubbed Bronze

