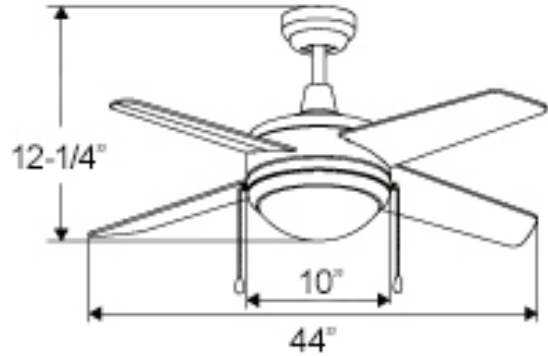


# 1041LED

120V

Catalog #:		Type
Project:		Date
Prepared by:		

## Europa II LED - 4-Blade, 44" Sweep, LED



### DESCRIPTION

The clean lines and modern design of The Europa II LED Series add style to any contemporary space. The economical LED light kit provides ample illumination and simplicity.

### DESIGN FEATURES

#### Motor

- 3-Speed reversible
- 153 x 15 mm
- RPM: 245 (at highest speed)
- 49W | 4720 CFM | 97CFM/W
- CFM/W
- Low: 133      Medium: 108      High: 97
- 3 capacitors
- 76" Lead wire
- Motor finishes: Brushed Nickel, Oil Rubbed Bronze, White & Black

#### Blades

- 4-Blade, 44" sweep
- Plywood construction: *To avoid fan blade warping - fan must be installed in a climate controlled environment*
- 12° pitch
- Blade finishes: Brushed Nickel, Oil Rubbed Bronze, White & Black

#### Light Kit

- Integrated LED light kit option: satin white glass, 16W LED, 3000k, 1200lms (source), 840lms (delivered), dimmable
  - Replacement glass: 1079-G-LED

#### Dimensions

15-7/8"	10"	12-1/4"
Height (lowest point)	Width (housing)	Height (top of blade)

#### Controls:

- Pull Chain
- Optional Remote Control (sold separately) RC-6 and RC-8
- Optional Wall Control (sold separately) WC-4, WC-8, WC-13 and WC-16

#### Certifications

- cETLus Listed
- Limited Lifetime Warranty

### ORDERING

Example: 1041LEDWH

Model #	Finish
1041	
1041	<b>WW</b> : White / White <b>BK</b> : Black / Black <b>BN</b> : Brushed Nickel <b>OB</b> : Oil Rubbed Bronze

