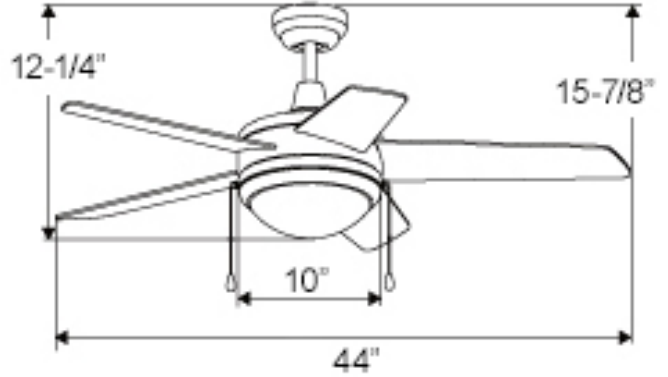


1042LED

120V

Catalog #:		Type
Project:		Date
Prepared by:		

Mirage II LED - 5-Blade, 44" Sweep, LED



1042LED Mirage II LED

DESCRIPTION

The clean lines and modern design of The Mirage II LED Series add style to any contemporary space. The economical LED light kit provides ample illumination and simplicity.

DESIGN FEATURES

Motor

- 3-Speed reversible
- 153 x 15 mm
- RPM: 235 (at highest speed)
- 48W | 4750 CFM | 98CFM/W
- CFM/W
- Low: 139 Medium: 108 High: 98
- 3 capacitors
- 76" Lead wire
- Motor finishes: Brushed Nickel, Oil Rubbed Bronze, White & Black

Blades

- 5-Blade, 44" sweep
- Plywood construction: *To avoid fan blade warping - fan must be installed in a climate controlled environment*
- 12° pitch
- Blade finishes: Brushed Nickel, Oil Rubbed Bronze, White & Black

Light Kit

- Integrated LED light kit option: satin white glass, 16W LED, 3000k, 1200lms (source), 840lms (delivered), dimmable
 - Replacement glass: 1079-G-LED

Controls:

- Pull Chain
- Optional Remote Control (sold separately) RC-6 and RC-8
- Optional Wall Control (sold separately) WC-4, WC-8, WC-13 and WC-16

Certifications

- cETLus Listed
- Limited Lifetime Warranty

ORDERING

Example: 1042LEDWH

Model #	Finish
1042	
1042	WW : White / White BK : Black / Black BN : Brushed Nickel OB : Oil Rubbed Bronze

Dimensions

15-7/8"	10"	12-1/4"
Height (lowest point)	Width (housing)	Height (top of blade)

TEL: 800.937.6925 | Fax: 800.207.9509 | www.rplighting.com

Specifications and dimensions subject to change without notice.

