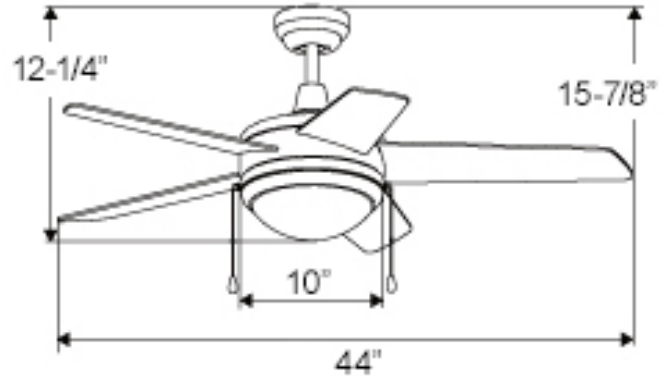


1049-E26-L

120V

Catalog #:		Type
Project:		Date
Prepared by:		

Contempo II - 3-Blade, 44" Sweep, E26 LED



1049-E26-L Contempo II

DESCRIPTION

The clean lines and modern design of the Contempo II Series add style to any contemporary space. The economical E26 LED light kit provides long lasting energy savings.

DESIGN FEATURES

Motor

- 3-Speed reversible
- 153 x 15 mm
- RPM: 273 (at highest speed)
- 41W | 4757 CFM | 101CFM/W
- CFM/W
- Low: 135 Medium: 109 High: 101
- 3 capacitors
- 76" Lead wire | 4" down rod included
- Motor finishes: Brushed Nickel, Oil Rubbed Bronze, White & Black

Controls:

- Pull Chain Standard
- Optional Remote Control (sold separately) RC-6 and RC-8
- Optional Wall Control (sold separately) WC-4, WC-8, WC-13 and WC-16

Certifications

- cETLus Listed
- Limited Lifetime Warranty

Blades

- 3-Blade, 44" sweep
- Plywood construction: *To avoid fan blade warping - fan must be installed in a climate controlled environment*
- 12° pitch
- Blade finishes: Brushed Nickel, Oil Rubbed Bronze, White & Black

Light Kit

- Integrated LED light kit included: satin white glass, 2x9W E26 LED 3000K lamps included
 - Replacement glass: 1079-G-LED-E26

ORDERING

Example: 1049BN-BN-E26-L

Model #	Motor / Blade Finish	Light Kit
1049		-E26-L
1049	BN-BN : Brushed Nickel /Brushed Nickel Oil OB-OB : Rubbed Bronze / Oil Rubbed Bronze BK-BK : Black/Black WW-WW : White / White	-E26-L

Dimensions

15-7/8"	10"	12-1/4"
Height (lowest point)	Width (housing)	Height (top of blade)



TEL: 800.937.6925 | Fax: 800.207.9509 | www.rplighting.com

Specifications and dimensions subject to change without notice.