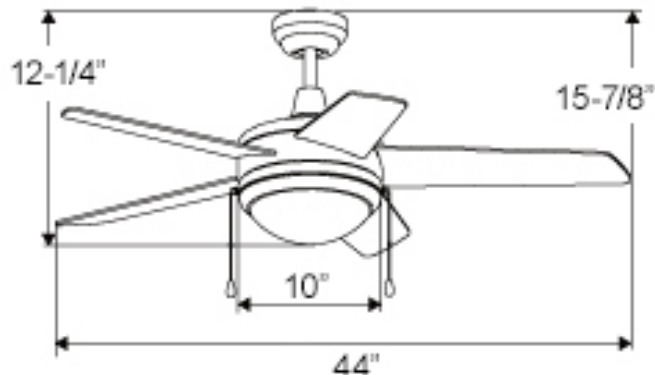


1049LED

120V

Catalog #:		Type
Project:		Date
Prepared by:		

Contempo II LED - 3-Blade, 44" Sweep, LED



1049LED Contempo II LED

DESCRIPTION

The clean lines and modern design of The Contempo II LED Series add style to any contemporary space. The economical LED light kit provides ample illumination and simplicity.

DESIGN FEATURES

Motor

- 3-Speed reversible
- 153 x 15 mm
- RPM: 273 (at highest speed)
- 41W | 4757 CFM | 101CFM/W
- CFM/W
- Low: 135 Medium: 109 High: 101
- 3 capacitors
- 76" Lead wire | 4" down rod included
- Motor finishes: Brushed Nickel, Oil Rubbed Bronze, White & Black

Blades

- 3-Blade, 44" sweep
- Plywood construction: *To avoid fan blade warping - fan must be installed in a climate controlled environment*
- 12° pitch
- Blade finishes: Brushed Nickel, Oil Rubbed Bronze, White & Black

Light Kit

- Integrated LED light kit option: satin white glass, 16W LED, 3000k, 1200lms (source), 840lms (delivered), dimmable
 - Replacement glass: 1079-G-LED

Controls:

- Pull Chain
- Optional Remote Control (sold separately) RC-6 and RC-8
- Optional Wall Control (sold separately) WC-4, WC-8, WC-13 and WC-16

Certifications

- cETLus Listed
- Limited Lifetime Warranty

ORDERING		Example: 1049LEDWH	
Model #	Finish		
1049			
1049	WH	:	White / White
	BK	:	Black / Black
	BN	:	Brushed Nickel
	OB	:	Oil Rubbed Bronze

Dimensions

15-7/8"	10"	12-1/4"
Height (lowest point)	Width (housing)	Height (top of blade)



TEL: 800.937.6925 | Fax: 800.207.9509 | www.rplighting.com

Specifications and dimensions subject to change without notice.