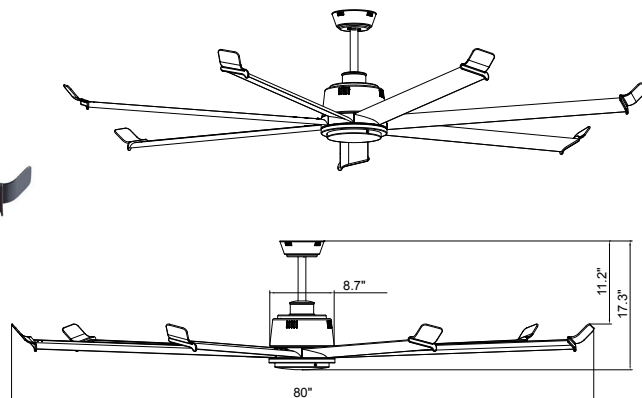


# 1080W - \_\_ - \_\_ -WC

120V

|              |  |      |
|--------------|--|------|
| Catalog #:   |  | Type |
| Project:     |  | Date |
| Prepared by: |  |      |

## Arctic 7-Blade, 80" Sweep, Wet Listed, DC Motor



Arctic 7-Blade, 80" Sweep

### DESCRIPTION

The Arctic 1080W wet-listed fan has a sleek and modern silhouette that features an energy-efficient DC motor and a stunning 80" blade sweep. This design is made to move a large amount of air for commercial, industrial or larger residential spaces.

### DESIGN FEATURES

#### Motor

- 5 speed / reversible
- DC Motor 180 x 17 mm
- RPM: 61 (at highest speed)
- 46.94W | 11274CFM | 240CFM/W
- CFM: Low: 6707 High: 11274
- 76" Lead wire | 8" & 24" down rod included

#### Blades

- 7-Blade, 80" sweep
- Aluminum construction
- 18° pitch

#### Finishes

- Motor and blade finishes: brushed pewter, oil rubbed bronze and white

#### Downrods

- **ER36:** 36" long - white (WW), brushed nickel (BN) and oil rubbed bronze (OB)
- **ER48:** 48" long - white (WW), brushed pewter (BP) and oil rubbed bronze (OB)
- **ER60:** 60" long - white (WW), brushed pewter (BP) and oil rubbed bronze (OB)

#### Light Kit

- Adaptable Light Kit

#### Wall Control

- Wall Control Included: WCR-80

#### Dimensions

|                          |                    |                          |
|--------------------------|--------------------|--------------------------|
| 17-1/4"                  | 8-3/4"             | 11-1/4"                  |
| Height<br>(lowest point) | Width<br>(housing) | Height<br>(top of blade) |

#### Certifications

- Energy Star 4.0 Compliant
- UL listed for wet location
- Limited lifetime warranty

### ORDERING

Example: 1080W-BP-BP-WC

| Model               | Housing and Blade Finish  |
|---------------------|---|
| 1080W - __ - __ -WC |   |
| 1080W - __ - __ -WC | <b>BP-BP</b> : Brushed Pewter<br><b>OB-OB</b> : Oil Rubbed Bronze<br><b>WW-WW</b> : White |



TEL: 800.937.6925 | Fax: 800.207.9509 | [www.rplighting.com](http://www.rplighting.com)

Specifications and dimensions subject to change without notice.