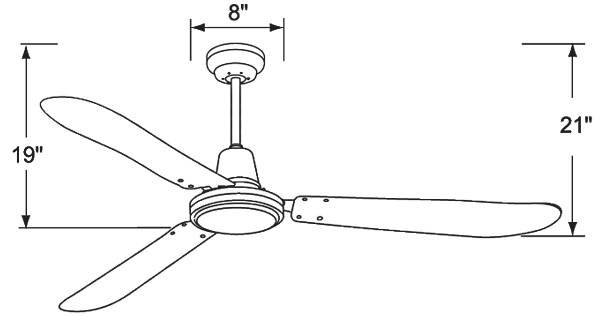
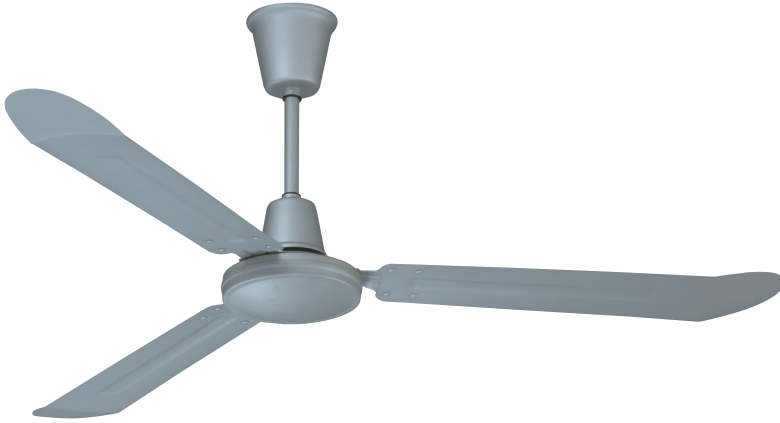


1091

120V

Catalog #:		Type
Project:		Date
Prepared by:		

Industrial Fan - 3 Blade, 56" Sweep



DESCRIPTION

The Industrial 3 blade, 56" sweep ceiling fan is made to move a large amount of air for commercial, industrial or larger residential spaces.

DESIGN FEATURES

Motor

- 1-Speed | Multi-speed with optional wall control
- 192 x 17 mm
- RPM: 316 (at highest speed)
- 60W | 6563 CFM | 109CFM/W
- 1 capacitors
- 52" Lead wire | 12" down rod included
- Motor finishes: White and Brushed Aluminum

Blades

- 3-Blade, 56" sweep
- Metal construction
- 10° pitch
- Blade finishes: White and Brushed Aluminum

Dimensions

21"	8"	19"
Height (lowest point)	Width (housing)	Height (top of blade)

Controls:

- Optional Wall control: WC-3

Certifications

- ULus Listed
- 10 year limited warranty



ORDERING

Example: 1091WW

Model	Housing and Blade Finish	
1091		
1091	BA	: Brushed Aluminum
	WW	: White



TEL: 800.937.6925 | Fax: 800.207.9509 | www.rplighting.com

Specifications and dimensions subject to change without notice.



Industrial Fan - 3 Blade 56"