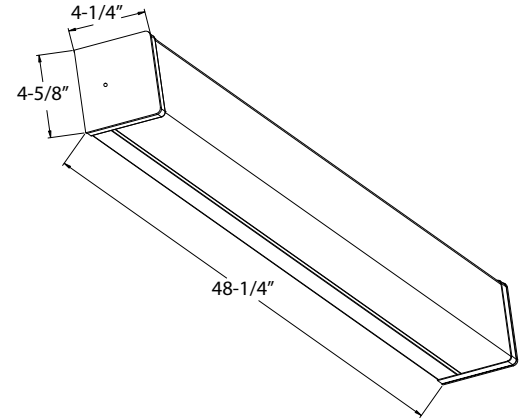


4116

120V-277V Universal Voltage

Catalog #:		Type
Project:		Date
Prepared by:		

4' Stairwell - NON-Dimmable



4' Stairwell

DESCRIPTION

Safety, reliability, and efficiency are just a few things that come to mind when thinking stairwell lighting. Our LED stairwell lights deliver just that in a simple and practical design. Increase energy savings with the built-in motion sensor, by only lighting the stairwell when occupied. Available in dimming and non-dimming option.

DESIGN FEATURES

Construction

- Heavy-duty steel construction
- Available in 2' (4116) and 4' (4116)
- L 48-1/4" x W 4-1/4" x H 4-5/8"

Electrical

- 120V-277V Universal Voltage
- NON-Dimmable
- 38W, 4150lms, 109lms/W
- 50,000 hour projected life
- Available in 80CRI, 4000K

Installation

- Ceiling or wall mount

Lens

- High-efficiency acrylic lens
- 120° beam angle

Finish

- White finish

Available options

- Motion Sensor: 4760MS
- Microwave motion sensor
4116WH-OS
- Emergency Battery Backup
4116WH-EM
- Both
4116WH-OS-EM

Certifications

- cETLus Certified
- DLC listed
- Limited 5 Year Warranty

ORDERING

Example: 4116-OS-EM

Model #	Motion Sensor and Battery
4116	
4116	-OS : Microwave motion sensor -EM : Emergency Battery Backup -OS-EM : Both

TEL: 800.937.6925 | Fax: 800.207.9509 | www.rplighting.com

Specifications and dimensions subject to change without notice.

