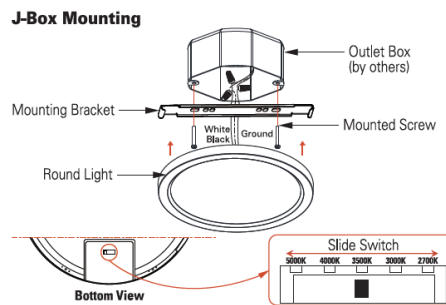
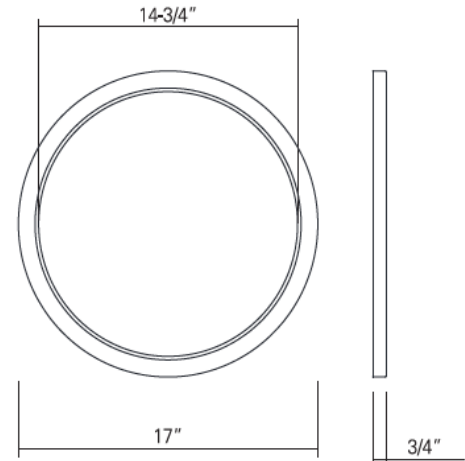


4352WH-17-5CCT

120V

Catalog #:		Type
Project:		Date
Prepared by:		

17" LED Round Slim Surface Light, 5 CCT Selectable



DESCRIPTION

The 4352xx-17-5CCT is a 17" slim-profile ceiling flush mount fixture offering selectable color temperatures for a wide variety of applications. Choose from warm 2700K, 3000K, 3500K, 4000K to white 5000K to meet all your needs for larger hallways and open spaces.

DESIGN FEATURES

Construction

- Durable steel back plate and heat sink
- Trim frame of thermoplastic
- Frosted polycarbonate lens for uniform distribution

Certifications

- CSAus for damp locations
- LED Lamp: 5 Year Limited Warranty
- Other Components: 1 Year Limited Warranty

Electrical

- Available in 120V
- Dimmable TRIAC and ELV, 10-100%
- 50,000 hour projected life
- 30W | 2248 lms @ 2700K (delivered) | 90 CRI
- CCT Selectable: 2700K, 3000K, 3500K, 4000K, 5000K
- Slide Selector Switch on back of unit

Installation

- Mounting bracket included for installation in 3" or 4" J-Box wall or ceiling applications

Dimensions

- 17" x 3/4"

ORDERING GUIDE

Example: 4352WH-17-5CCT

Model #	Finish	CRI	CCT
4352	WH	-17	-5CCT
4352	WH : White	-17 : 17"	-5CCT : 2700K, 3000K, 3500K, 4000K, 5000K

TEL: 800.937.6925 | Fax: 800.207.9509 | www.rplighting.com

Specifications and dimensions subject to change without notice.

