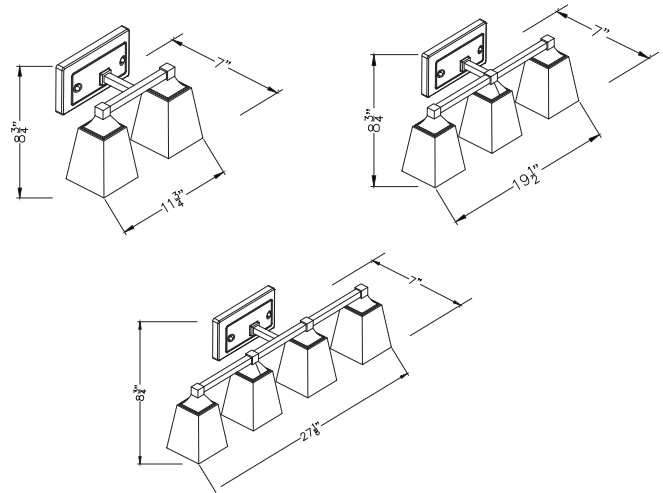


# 4909

120V

Catalog #:		Type
Project:		Date
Prepared by:		

## Square Shade Vanity Lights - E26 A19 LED Lamps Included



### DESCRIPTION

See yourself in the best light with the 4909 Series A19 LED Vanity Light that can be mounted in direct or indirect positions. This stylish Energy Star vanity is damp location rated and is energy efficient. Choose from 2-light, 3-light, or 4-light configurations for any type of application.

### DESIGN FEATURES

#### Construction

- Heavy duty, stainless steel construction
- Frosted Glass Square Shade

#### Electrical

- 120V-60Hz
- Dimmable TRIAC, 10-100%
- E26 Socket | 9W A19 LED Lamps Included
- 50,000 hour projected life
- 3000K | 80 CRI

#### Installation

- Quick and easy wall mount installation
- Fixture can be mounted with glass shades facing up or down
- Back plate is 5" x 6" and will accommodate most J-Boxes

#### Lens

- Frosted Glass Lens Replacement: 4902-G

#### Dimensions

- 4909-2: 11-3/4" L x 8-3/4" H x 7" D
- 4909-3: 19-1/2" L x 8-3/4" H x 7" D
- 4909-4: 27-1/8" L x 8-3/4" H x 7" D

#### Certifications

- cETLus listed for damp locations
- Energy Star Listed
- CEC JA8 Compliant \*
- 1 Year Limited Warranty

ORDERING GUIDE		Example: 4909BN-3
Model #	Finish	# of Lights
4909	BN	
4909	BN : Brushed Nickel	-2 : 2 lights -3 : 3 lights -4 : 4 lights

\* Included A19 LED lamp listed on CEC JA8 website as L9-A19DG-9W-30

TEL: 800.937.6925 | Fax: 800.207.9509 | [www.rplighting.com](http://www.rplighting.com)

Specifications and dimensions subject to change without notice.

4/13/21 R1

