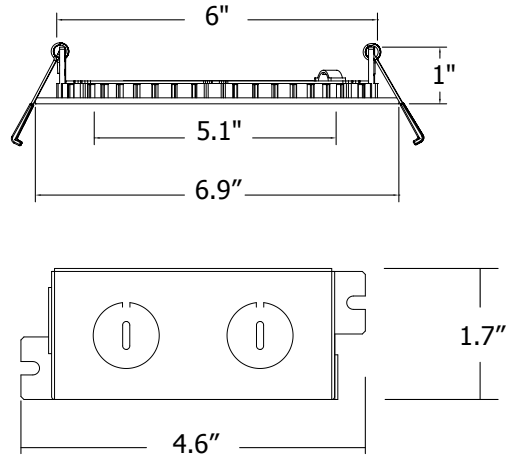
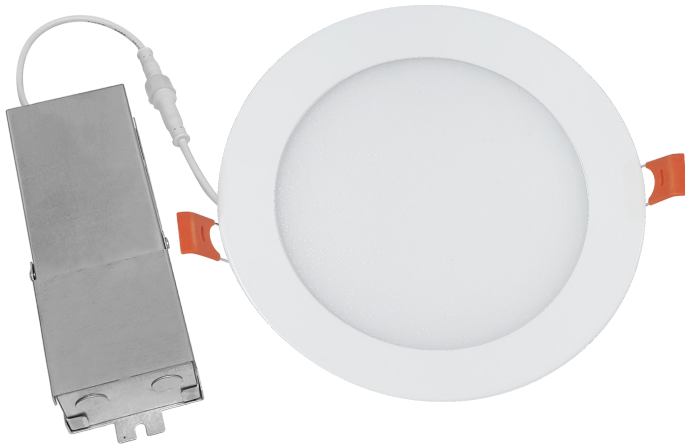


8542-2

120V

Catalog #:		Type
Project:		Date
Prepared by:		

6" LED Ultra-Thin Downlight



DESCRIPTION

A versatile LED down light solution with edge-lit technology and an off-board driver allow for an ultra slim profile and flexible mounting options. Installation is a snap with the plenum-rated driver box and linkable connector cable — there is no need for a j-box or recessed housing. The simple spring-loaded retention tabs securely hold each downlight snug to the ceiling.

DESIGN FEATURES

Construction

- Ultra-thin profile
- Durable aluminum construction
- Frosted acrylic lens diffuses glare and maximizes output

Electrical

- 120V-60Hz
- Dimmable TRIAC, 10-100%
- 50,000 hour projected life
- 120° Beam Angle
- 14W, 884lms
- 90CRI
- Available in 3000 or 4000K

Installation

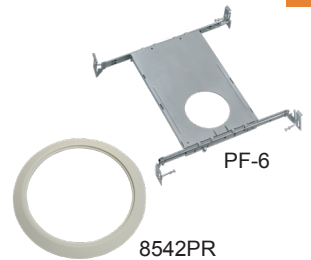
- Spring-loaded retention tabs hold downlight snug to ceiling surface, off-board driver/ junction box, poke-in connectors, and linkable connector cable
- IC Rated for direct contact with batt type fiberglass insulation

Finish

- Available in White

Available Accessories

- **PF-6:** Mounting plate assembly
- **8542PR:** Plastic trim ring



Certifications

- Energy Star listed
- cCSAus listed for wet location
- 5 year limited warranty

ORDERING

Example: 8542-2WH-3K

Model #	Finish	CCT
8542-2	WH	
8542-2	WH : White	-3K : 3000K -4K : 4000K
Accessories		
PF-6	: Mounting Plate	
8542PR	: Plastic trim ring	

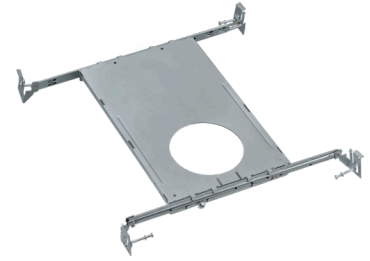
8542-2

120V

Available Accessory Information

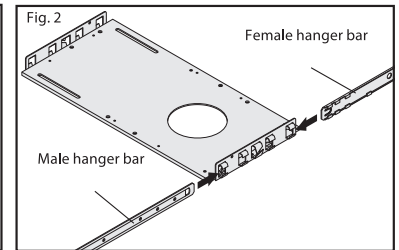
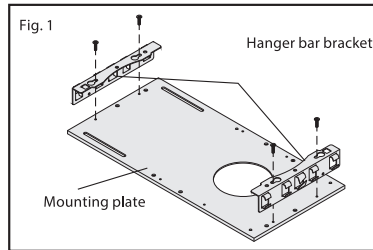
Accessory Mounting Plate Assembly

- **PF- 6**
- Includes four 12" bar hanger to allow for easy adjustment and easy installation
- Durable aluminum construction
- Perfect for installing recessed lighting into new construction



New Construction Mounting Plate Assembly:

1. Align hanger bar brackets with mounting holes on the new construction mounting plate and secure in place with mounting screws (Fig. 1).
NOTE: Hanger bars can be installed on long or short side of the new construction mounting plate.
2. Insert both female and male parts of the hanger bars into the bracket from opposite ends (Fig. 2). Make sure that the male part is inserted within the female part and that the end tab is facing downwards.



Accessory Goof Ring

- **8542PR:** Plastic trim ring
- 8-3/8" OD x 6-11/16" ID x 3/4" W

